



# 1220-20 TRUCK & STATIONARY FEED MIXER



## SAFETY & OPERATION MANUAL

ROTO-MIX  
P.O. Box 1724  
2205 E. Wyatt Earp Blvd.  
Dodge City, Kansas 67801  
(620) 225-1142  
© ROTO-MIX LLC 2006

SERIAL NO. \_\_\_\_\_

441952 05/2023

Printed in U.S.A.

**This Page Intentionally Left Blank**

# TABLE OF CONTENTS

DESCRIPTION	PAGE NO.
WARRANTY .....	4
SCALES WARRANTY & SERVICE POLICY .....	5
OPERATOR QUALIFICATIONS .....	6
SAFETY INFORMATION .....	7-19
CHAIN TENSIONING & LOADING INSTRUCTIONS.....	20-21
LUBRICATION .....	21
PLANETARY GEARBOX & HYDROSTAT & OVERHUNG LOAD ADAPTER .....	22-23
SPECIFICATIONS .....	24
1220-20 TRUCK DIMENSIONS .....	26
1220-20 STATIONARY DIMENSIONS.....	27
REPAIR PARTS TABLE OF CONTENTS.....	29

Revision Date	Changes
05/2023	Add pages for square top auger drive pgs. 42 & 46; Add Shell Repair Parts pgs. 76-77.



## Limited Warranty Statement

ROTO-MIX LLC warrants to the original purchaser all products manufactured by it to be free from defects in material and workmanship under normal use and service.

ROTO-MIX's obligation under this warranty is limited to repairing or replacing, as the company may elect, free of charge and without charge for installation, at the place of business of a dealer or distributor authorized to handle the equipment covered by this warranty or at a ROTO-MIX facility, any parts that prove, in the company's judgment, to be defective in material or workmanship within one (1) year after delivery to the original purchaser, and still owned by the original purchaser.

This warranty shall in no way make ROTO-MIX liable to anyone for personal injuries or damages, loss of time, or expense of any kind either direct or indirect resulting from part failure or defect.

This warranty is subject to acts of God, fire and existing conditions of supply and demand, or production, or ability or inability to deliver, or for any other valid reason beyond the reasonable control of ROTO-MIX, to obtain materials, manufactured replacement parts, or make delivery thereof. No distributor, dealer, agent, or ROTO-MIX employee (other than the CEO or President in writing) is authorized to extend any other or further express or implied warranty or incur any additional obligation on ROTO-MIX's behalf in connection with the sale of this product.

If ROTO-MIX, or its duly authorized representative, shall find that such returned part or parts are defective and such defects, or defect, are included in and covered by said warranty, then such defective part or parts shall promptly be replaced without charge to the purchaser, F.O.B. the ROTO-MIX plant.

**Product Registration** - It is a condition of this warranty that the original purchaser must fill out the warranty card furnished by ROTO-MIX and that it be returned to ROTO-MIX within 10 days of purchase and be recorded in ROTO-MIX's owner file for this warranty to be valid. In the event an owner's card is not on file at the ROTO-MIX office, the warranty period will extend only from date equipment was picked up or shipped from the ROTO-MIX plant.

**Maintenance** - It is the customer's responsibility to maintain their equipment in accordance with the instructions provided in the Operator's Manual. ROTO-MIX recommends that you keep records and receipts; you may be asked to prove that maintenance instructions have been followed.

**Operation** - It is the customer's responsibility to operate the equipment only for the purpose for which it was designed and in accordance with all safety and operational recommendations contained in the Operators Manual. If a defect in materials or workmanship occurs, it is the customer's responsibility to cease operating the equipment until authorized repairs are made.

**Damage, which occurs from continued operation, may not be covered by this warranty.**

### What this Warranty Covers

This warranty covers failures caused by defects in materials or workmanship only.

- Improper operation
- Natural calamities
- Unauthorized modifications
- Unauthorized repairs
- Use of Non ROTO-MIX parts
- Neglected maintenance
- The use of PTO Shaft Adaptors
- Usage contrary to the intended purpose of the product

*Warranty continues on the next page.*

**This Warranty does not cover replacement of Wear or Maintenance Items including, but not limited to.**

- Lubricants
- Filters
- Hoses
- Tires
- Augers
- Wipers
- Chains
- Idlers
- Batteries
- Blades
- Belts

**This Warranty does not cover:**

- Pickup and delivery of the equipment
- Service Calls or Travel Time to and from sites
- Rental of replacement equipment during repair period
- Products that have been declared a total loss and subsequently salvaged
- Overtime labor charges
- ROTO-MIX is not responsible and will not be liable for damage caused to persons or property, commercial loss, loss of time or production, loss of use by reason of the installation or use of ROTO-MIX products or their mechanical failure.

**Right to Make Changes**

ROTO-MIX reserves the right to make any changes to a ROTO-MIX product at any time without incurring any obligation with respect to any product previously ordered, sold or shipped, with or without notice.

**Parts Warranty**

ROTO-MIX warranties replacement parts against defects in materials or workmanship for a period of 90 days or the remainder of the product warranty, whichever is longer. Remedy for defective replacement parts for units that are beyond the original product warranty, will be limited to replacement of the failed part. Failures that are due to damage, improper installation, lack of maintenance or improper operation will not be covered.

**ROTO-MIX 2205 East Wyatt Earp Blvd., Dodge City, KS 67801 (620) 225-1142 Fax: (620)**

---

---

## **SCALES WARRANTY & SERVICE POLICY**

### **DIGI-STAR SCALE SYSTEMS**

Digi-Star, LLC warrants for a period of one year from date of installation, to correct by repair or replacement, at Digi-Star's option, any defect in material or workmanship in any part of this product. In the event of replacement, Digi-Star's sole obligation shall be to provide replacement products or parts. F.O.B. Digi-Star, LLC, W5527 Hwy 106, Fort Atkinson, WI 53538 USA.

### **WEIGH-TRONIX SCALE SYSTEMS**

WEIGH-TRONIX warrants for a period of one year from date of installation, to correct by repair or replacement, at Weigh-Tronix's option, any defect in material or workmanship in any part of this product. In the event of replacement, Weigh-Tronix's sole obligation shall be to provide replacement products or parts. F.O.B. Avery Weigh-Tronix, 1000 Armstrong Drive, Fairmont, MN 56031-1439 USA.

## OPERATOR QUALIFICATIONS

Operation Of this mixer/feeder shall be limited to competent and experienced persons. In addition, anyone who will operate or work around a mixer/feeder must use good common sense. In order to be qualified, he or she must also know and meet all other qualifications, such as:

1. Some regulations specify that no one under the age of sixteen (16) may operate power machinery. It is your responsibility to know what these regulations are in your area and/or situation.
2. Current OSHA regulations state in part: At the time of initial assignment and at least annually thereafter, the employer shall instruct **EVERY** employee in the safe operation and servicing of all equipment with which the employee is, or will be involved.
3. Unqualified persons are to **STAY OUT OF THE WORK AREA.**
4. A person who has not read and understood all operating and safety instructions is not qualified to operate the machinery.

**FAILURE TO READ THIS MIXER/FEDER MANUAL AND ITS SAFETY INSTRUCTIONS IS A MISUSE OF THE EQUIPMENT.**



## **SAFETY**

**TAKE NOTE!** THIS SAFETY ALERT SYMBOL FOUND THROUGHOUT THIS MANUAL IS USED TO CALL YOUR ATTENTION TO INSTRUCTIONS INVOLVING YOUR PERSONAL SAFETY AND THE SAFETY OF OTHERS. FAILURE TO FOLLOW THESE INSTRUCTIONS CAN RESULT IN INJURY OR DEATH.



**THIS SYMBOL MEANS**

**-ATTENTION!**

**-BECOME ALERT!**

**-YOUR SAFETY IS INVOLVED!**

**SIGNAL WORDS:** Note the use of the signal words DANGER, WARNING, and CAUTION with the safety messages. The appropriate signal word for each has been selected using the following guidelines:

**DANGER:** Indicates an imminently hazardous situation that, if not avoided, will result in serious injury or death. This signal word is to be limited to the most extreme situations typically for machine components which, for functional purposes, cannot be guarded.

**WARNING:** Indicates a potentially hazardous situation that, if not avoided, will result in serious injury or death, and includes hazards that are exposed when guards are removed. It may also be used to alert against unsafe practices.

**CAUTION:** Indicates a potentially hazardous situation that, if not avoided, may result in minor or moderate injury. It may also be used to alert against unsafe practices.

If you have questions not answered in this manual or require additional copies or the manual is damaged, please contact your dealer or ROTO-MIX, 2205 E. Wyatt Earp, Dodge City, Kansas, 67801. (Telephone) 620-225-1142 (Fax) 620-225-6370

## **SAFETY FIRST**

**REMEMBER:** The careful operator is the best operator. Most accidents are caused by human error. Certain precautions must be observed to prevent the possibility of injury or death.



**DO NOT ALLOW PERSONNEL OTHER THAN THE QUALIFIED OPERATOR NEAR THE MACHINE.**



**NEVER START MACHINE UNTIL ALL GUARDS AND SAFETY SHIELDS ARE IN PLACE.**



**DO NOT CLEAN, ADJUST OR LUBRICATE THE MACHINE WHILE IT IS IN MOTION.**



**LOOSE OR FLOPPY CLOTHING SHOULD NOT BE WORN BY THE OPERATOR.**

### **OPERATING PRECAUTIONS & INSTRUCTIONS:**

- A. Check to see that no obstructions are present in the mixer prior to start up.
- B. Before loading, run the mixer empty and check all operations.
- C. Do not overload the mixer, as the mixing efficiency may be reduced and unit damage may occur. (See loading instructions).
- D. Remove all moisture drain plugs if the mixer is going to set in the rain or snow.
- E. Be sure all shields are in place before operation.
- F. Use common sense when operating.





## EQUIPMENT SAFETY GUIDELINES

Safety of the operator is one of the main concerns in designing and developing a new piece of equipment. Designers and manufactures build in as many safety features as possible. However, every year many accidents occur which could have been avoided by a few seconds of thought and a more careful approach to handling equipment. You, the operator, can avoid many accidents by observing the following precautions in this section. To avoid personal injury, study the following precautions and insist those working with you, or for you, follow them.

In order to provide a better view, certain photographs or illustrations in this manual may show an assembly with a safety shield removed. However, equipment should never be operated in this condition. Keep all shields in place. If shield removal becomes necessary for repairs, replace the shield prior to use.

Replace any CAUTION, WARNING, DANGER or instruction safety decal that is not readable or is missing. Location of such decals are indicated in this manual.

Do not attempt to operate this equipment under the influence of drugs or alcohol.

Review the safety instructions with all users annually.

This equipment is dangerous to children and persons unfamiliar with its operation. The operator should be a responsible adult familiar with farm machinery and trained in this equipment's operations. Do not allow persons to operate or assemble this unit until they have read this manual and have developed a thorough understanding of the safety precautions and of how it works.

Do not paint over, remove or deface any safety signs or warning decals on your equipment. Observe all safety signs and practice the instructions on them.

Never exceed the limits of a piece of machinery, in its ability to do a job, or to do so safely, if in question - **DON'T TRY IT.**

## LIGHTING AND MARKING



It's the responsibility of the customer to know the lighting and marking requirements of the local highway authorities and to install and maintain the equipment to provide compliance with the regulations. Add extra lights when transporting at night or during periods of limited visibility.



---

### **KEEP ALL SHIELDS IN PLACE**

Do not operate mixer/feeder without safety shields in place.

Rotating parts can crush or dismember causing personal injury or death.

Disconnect PTO driveline before removing shields for adjustment or service.



---

### **OPERATE MIXER/FEEDER SAFELY**

Rotating parts can entangle or strike people, resulting in personal injury or death.

Never enter a mixer/feeder while in operation.

Operate the mixer/feeder from the operator's seat only.

Do not exceed load capacity of the mixer/feeder. (See loading instructions).

Reduce speed when turning or traveling on rough terrain.

Avoid traveling over loose fill, rocks, ditches or holes.

Keep transmissions in gear when traveling downhill.



---

### **KEEP RIDERS OFF MIXER/FEEDER**

Keep riders off.

Riders are subject to injury such as being struck by foreign objects and being thrown off. Riders also obstruct the operator's view resulting in the machine being operated in an unsafe manner.





---

### **STAY CLEAR OF ROTATING DRIVELINES**

Entanglement in rotating driveline can cause serious injury or death.

Make sure rotating shields turn freely.

Wear close fitting clothing. Stop the engine and be sure PTO driveline is stopped before making adjustments, connections, or cleaning out PTO driven equipment .



---

### **PREVENT BATTERY EXPLOSIONS**

Keep sparks, lighted matches, and open flame away from the top of battery. Battery gas can explode.

Never check battery charge by placing a metal object across the posts. Use a volt-meter or hydrometer.

Do not charge a frozen battery; it may explode. Warm battery to 60F (16C) before charging.



---

### **AVOID HIGH-PRESSURE FLUIDS**

Escaping fluid under pressure can penetrate the skin causing serious injury or death.

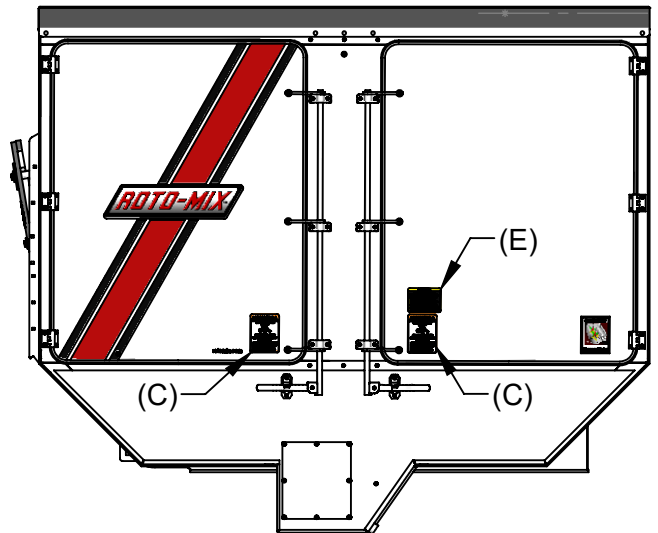
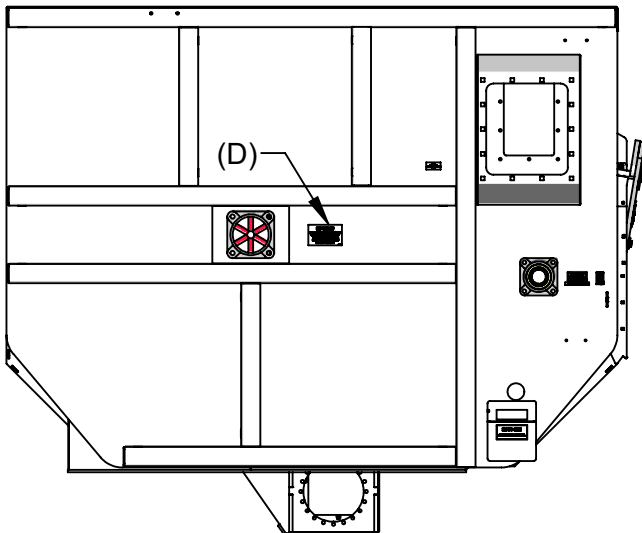
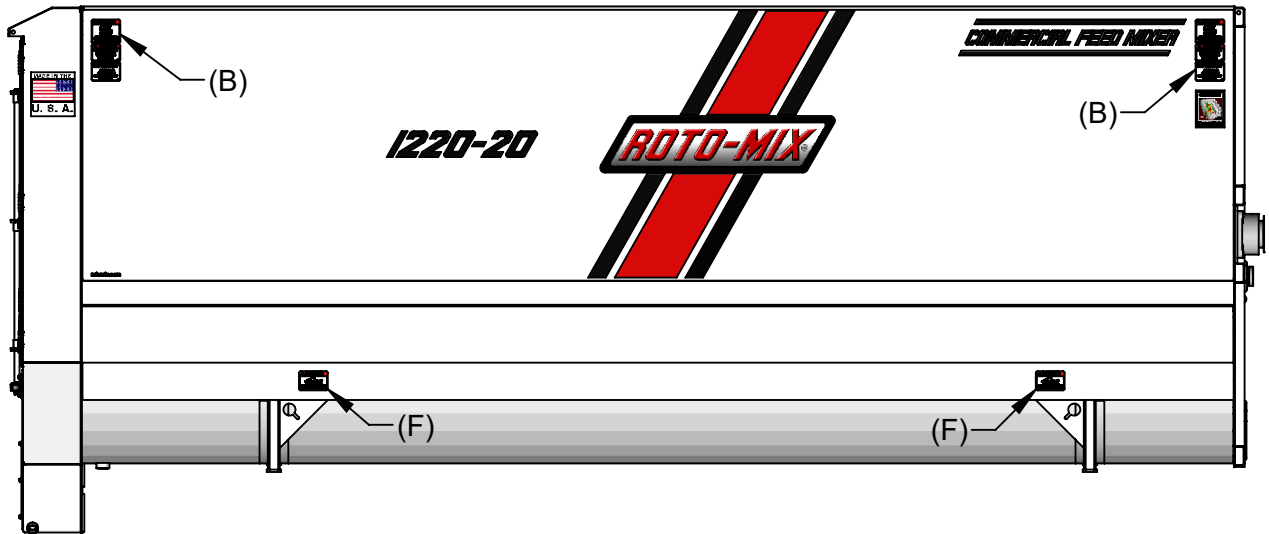
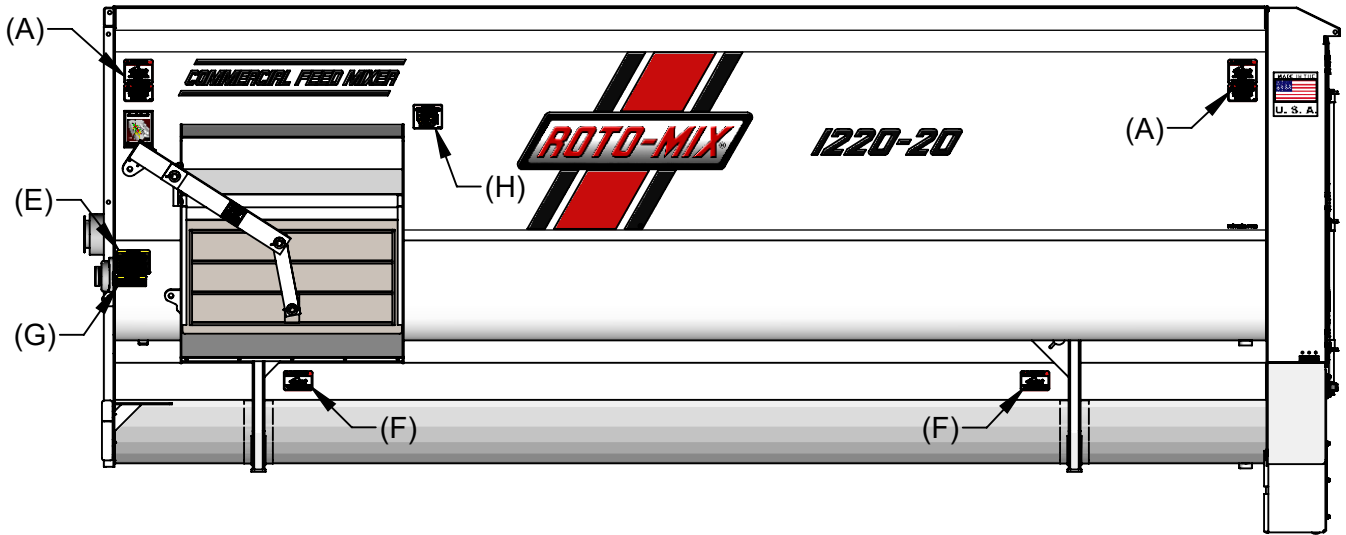
Avoid the hazard relieving pressure before disconnecting hydraulic or other lines. Tighten all connections before applying pressure.

Search for leaks with a piece of cardboard. Protect hands and body from high pressure fluids.

If an accident occurs, see a doctor immediately. Any fluid injected into the skin must be surgically removed within a few hours or gangrene may result. Doctors unfamiliar with this type of injury should reference a knowledgeable medical source.



# 1220-20 SAFETY DECALS



# 1220-20 SAFETY SIGNS/DECALS



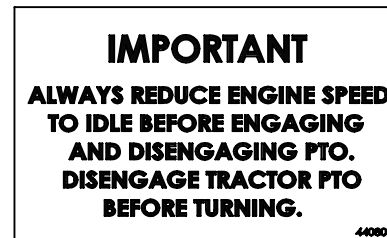
440035 - (A)



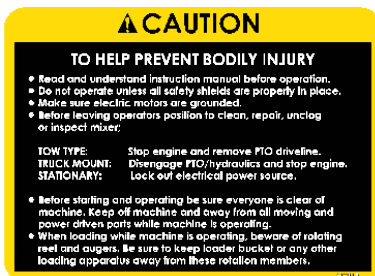
440034 - (B)



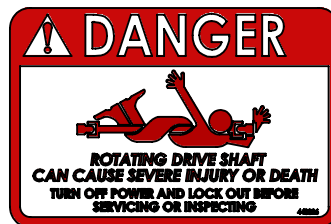
440822 - (C)



440801 - (D)



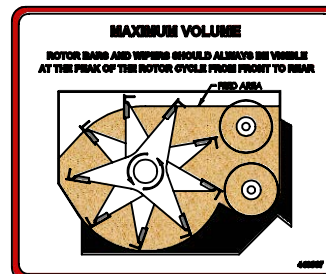
440819 - (E)



440826 - (F)



440818 - (G)



440807 - (H)



## **SAFETY DECAL CARE**

Keep safety decals and signs clean and legible at all times.

Replace safety decals and signs that are missing or have become illegible.

Replaced parts that displayed a safety sign should also display the current sign.

Safety decals or signs are available from your dealer or the ROTO-MIX manufacturing plant.

### **How to Install Safety Decals:**

Be sure that the installation area is clean and dry.

Decide on the exact position before you remove the backing paper.

Remove the smallest portion of the split backing paper.

Align the decal over the specified area and carefully press the small portion with the exposed sticky backing in place.

Slowly peel back the remaining paper and carefully smooth the remaining portion of the decal in place.

Small air pockets can be pierced with a pin and smoothed out using the piece of decal backing paper.



## **PRACTICE FIRE PREVENTION**

Keep fire extinguishers accessible at all times. Use the extinguisher recommended for the material being processed. It should be rated safe for use on electrical fires.

Never smoke close to combustible material.

Clean the area before welding or other activities which may make sparks.

Keep all components that generate excessive heat clear of oil and other combustible materials.



## **REMEMBER**

**Your best assurance against accidents is a careful and responsible operator. If there is any portion of this manual or function you do not understand, contact your dealer or the ROTO-MIX plant.**

### **BEFORE OPERATION:**

Carefully study and understand this manual.

Do not wear loose-fitting clothing which may catch in moving parts.

Always wear protective clothing and substantial shoes.

Keep wheel lug nuts or bolts tightened to specified torque.

Assure that agricultural implement & truck tires are inflated evenly.

Give the unit a visual inspection for any loose bolts, worn parts or cracked welds, and make necessary repairs. Follow the maintenance safety instructions included in this manual.

Be sure that there are no tools lying on or in the mixer/feeder.

Do not use the unit until you are sure that the area is clear, especially children and animals.

Because it is possible that this mixer/feeder may be used in dry areas or the presence of combustibles, special precautions should be taken to prevent fires and fire fighting equipment should be readily available.

Don't hurry the learning process or take the unit for granted. Ease into it and become familiar with your new mixer/feeder.

Practice operation of your mixer/feeder and its attachments. Completely familiarize yourself and other operators with its operation before using.



### **DURING OPERATION:**

Beware of bystanders, **particularly children!** Always look around to make sure that it is safe to start the vehicle engine or move the unit. This is particularly important with higher noise levels and quiet cabs, as you may not hear people shouting.

Keep hands and clothing clear of moving parts.

Do not clean, lubricate or adjust your mixer/feeder while it is moving.

Be especially observant of the operating area and terrain - watch for holes, rocks or other hidden hazards. Always inspect the area prior to operation.

**Do not** operate near the edge of drop-offs or banks.

**Do not** operate on steep slopes as overturn may result.

**Operate** up and down (not across) intermediate slopes. Avoid sudden starts and stops.

Pick the levellest possible route when transporting across fields. Avoid the edges of ditches or gullies and steep hillsides.

Be extra careful when working on inclines.

Periodically clear the equipment of brush, twigs or other materials to prevent buildup of dry combustible materials.

Avoid overhead wires or other obstacles. Contact with overhead lines could cause serious injury or death.

Avoid loose fill, rocks and holes; they can be dangerous for equipment operation or movement. Allow for unit length when making turns.

Do not walk or work under raised components or attachments unless securely positioned and blocked.

Keep all bystanders, pets and livestock clear of the work area.

Never stand alongside of the unit with engine running. Never attempt to start engine and/or operate machine while standing alongside of unit.





### **DURING OPERATION (CONT.)**

Never leave running mixer/feeder unattended.

As a precaution, always recheck the hardware on mixer/feeder following every 100 hours of operation. Correct all problems. Follow the maintenance safety procedures.



### **FOLLOWING OPERATION:**

Following operation, disengage the PTO and all power drives, set the brakes, shut off the engine and remove the ignition keys.

Store the unit in an area away from human activity.

Do not park equipment where it will be exposed to livestock for long periods of time. Damage and livestock injury could result.

Do not permit children to play on or around the stored unit.

Make sure parked machine is on a hard, level surface and engage all safety devices.

Wheel chocks may be needed to prevent unit from rolling.

### **HIGHWAY AND TRANSPORT OPERATIONS:**



Adopt safe driving practices:

Always drive at a safe speed relative to local conditions and ensure that your speed is low enough for an emergency stop to be safe and secure. Keep speed to a minimum.

Reduce speed prior to turns to avoid the risk of overturning.

Avoid sudden uphill turns on steep slopes.

Do not drink and drive.



## **HIGHWAY AND TRANSPORT OPERATIONS (CONT.):**

Comply with state and local laws governing highway safety and movement of farm machinery on public roads.

Use approved accessory lighting flags and necessary warning devices to protect operators of other vehicles on the highway during daylight and nighttime transport.

The use of flashing amber lights is acceptable in most localities. However, some localities prohibit their use. Local laws should be checked for all highway lighting and marking requirements.

When driving the mixer/feeder on the road or highway under 20 MPH (40 KPH) at night or during the day, use flashing amber warning lights and a slow moving vehicle (SMV) identification emblem.

Plan your route to avoid heavy traffic.

Be a safe courteous driver. Always yield to oncoming traffic in all situations, including narrow bridges, intersections, etc.

Be observant of bridge loading ratings. Do not cross bridges rated lower than the gross weight at which you are operating.

Watch for obstructions overhead and to the side while transporting.

Always operate mixer/feeder in a position to provide maximum visibility at all times. Make allowances for increased length and weight of the mixer/feeder when making turns, stopping the unit, etc.



## **PERFORMING MAINTENANCE:**

Good maintenance is your responsibility. Poor maintenance is an invitation to trouble.

Make sure there is plenty of ventilation. Never operate the engine of the vehicle in a closed building. The exhaust fumes may cause asphyxiation.

Before working on the mixer/feeder, stop the vehicle, set the brakes, disengage the PTO and all power drives, shut off the engine and remove the ignition keys.

Be certain all moving parts on attachments have come to a complete stop before attempting to perform maintenance.



## **PERFORMING MAINTENANCE (CONT.):**

Always use the proper tools or equipment for the job at hand.

Use extreme caution when making adjustments.

Never use our hands to locate hydraulic leaks on attachments. Use a small piece of cardboard or wood. Hydraulic fluid escaping under pressure can penetrate the skin.

When disconnecting hydraulic lines, shut off hydraulic supply and relieve all hydraulic pressure.

Openings in the skin and minor cuts are susceptible to infection from hydraulic fluid. If injured by escaping hydraulic fluid, see a doctor at once. Gangrene can result. Without immediate treatment, serious infection and reactions can occur.

Replace all shields and guards after servicing and before moving.

After servicing, be sure all tools, parts and service equipment are removed.

Do not allow grease or oil to build up on any step or platform.

Never replace hex bolts with less than grade five (5) bolts unless otherwise specified. In some locations a grade 8 fastener may be required, consult your local Roto-Mix Dealer or Roto-Mix Service Department for more information.

Where replacement parts are necessary for periodic maintenance and servicing, genuine factory replacement parts must be used to restore your equipment to original specifications. ROTO-MIX will not claim responsibility for use of unapproved parts and/or accessories and other damages as a result of their use.

If equipment has been altered in any way from original design, ROTO-MIX does not accept any liability for injury or warranty.

A fire extinguisher and first aid kit should be kept readily accessible while performing maintenance on this mixer/feeder.

## **READ THE FOLLOWING BEFORE WELDING ON THIS MIXER/FEEDER**

When welding on your mixer/feeder, do not allow the current to flow through the ball bearings or the roller chains. Ground directly to the item being welded.

Always disconnect the scale instrumentation from the weigh bars or load cells and the power source. Be sure the current does not pass through weigh bars or load cells or scale indicator. The alternator should always be disconnected.

### **CHAIN TENSION**

All the single roller chain should be tightened to the point of .042" (1 mm) (dime) clearance is reached between the coils of the 1-1/4" diameter idler tension springs and .068" (1.7 mm) (nickel) clearance is reached between the coils of the 1-3/4" diameter idler tension springs.

### **LOADING INSTRUCTIONS & PRECAUTIONS**

- A.** Do not add side board extensions to the mixer.
- B.** Do not overload the mixer. Mixer capacity can be reached by weight or volume. By volume, the rotor bars and wipers should always be visible at the peak of the rotor cycle. If the rotor is completely submerged under the mix, mixing efficiency may be reduced, spillage may occur, and damage to the mixer may result. Maximum capacity by weight can be calculated by multiplying 28 pounds times mixer cubic foot capacity.
- C.** Load molasses and/or liquid protein supplements first with mixer not running, then add one (1) commodity ingredient before starting the mixer. For the shortest mixing time and maximum mixing efficiency, these items should be added at the first of the loading process.
- D.** When adding minute supplements or medication in non-liquid form, these ingredients should be loaded in the middle of the loading sequence.

### **E. RATIONS WITH GROUND HAY:**

1. Load molasses (or liquids) first with the mixer not running.
2. Load one (1) commodity ingredient and start mixer.
3. Finish loading commodities, silage, or ground hay. Loading ground hay after mixing liquids with another commodity will prevent molasses hay balls.

**NOTE:** These procedures may not work on all rations. Loading sequences may be changed to give best possible mix.

### **ATTENTION:**

- F.** Never load the mixer from the right side (side opposite the discharge) with a front end loader while the mixer is running.

## **OPERATION:**

**Drain rain water out of mixer before use.** 1" of rain in a 1220-20 equals (124 gal) 1,034 lbs. of water which will increase the moisture in 1000 lbs. of dry hay (@ 12%) to 57% moisture or 500 lbs. of dry hay (@ 12%) to 71% moisture.

ROTO-MIX will not warranty bent or broken rotors, bent or broken augers caused from misuse, wet hay, foreign objects, and/or overloading.

**CAUTION: Do not engage the rotor without first starting the augers.**

**CAUTION: When turning on the rotor, idle the truck down to 1000 RPM or less.**

## **LUBRICATION**

**DISENGAGE PTO & SHUT OFF POWER BEFORE LUBRICATING THE MACHINE.**

**LOOSE OR FLOPPY CLOTHING SHOULD NOT BE WORN BY THE OPERATOR.**

**OIL BATH:** Fill the oil bath with 30 weight motor oil to sight plug level.

**GREASE BANK:** Grease every 10 hours.

**FRONT END BEARINGS:** Grease every 10 hours.

**PTO SHAFTS & U-JOINTS:** Grease every 10 to 20 hours.

**HYDRAULIC PUMP DRIVE:** Grease every 10 to 20 hours.

## **HYDROSTAT MAINTENANCE**

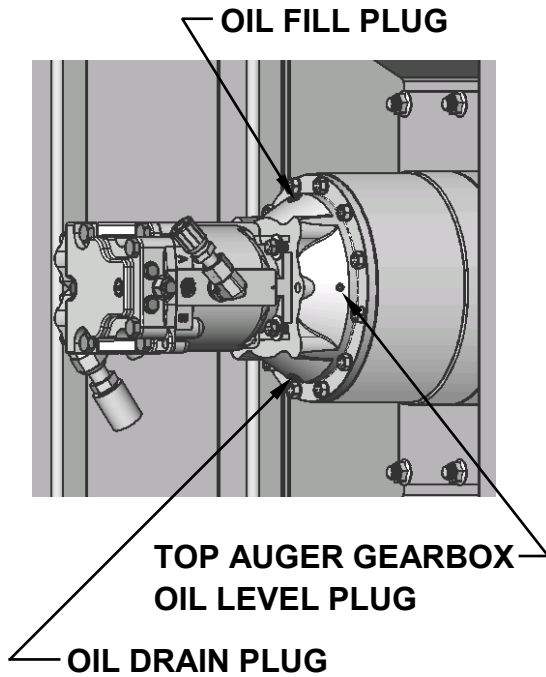
The hydraulic system operating the mixing augers is a high pressure closed loop design. Keep oil level in the reservoir visible in sight gauge . The sight gauge is also equipped with a thermometer for registering reservoir oil temperature. Oil temperature in reservoir should not exceed 190° F. The hydraulic filter should be changed the first 100 hours of operation then every 500 hours of operation and with every fluid change. Replace with 10 micron filter element only. The reservoir fluid should be changed every 2000 hours of operation or every 12 months, which ever occurs first. Fill the reservoir to sight gauge with **(CITGO TRANSGARD TRACTOR HYDRAULIC FLUID - Material Code 633310001)**.

Approximately 55 gallons (208 liters). Visually check daily for any fluid leakage. Do not operate hydraulic system low or without fluid as it could damage system beyond repair.

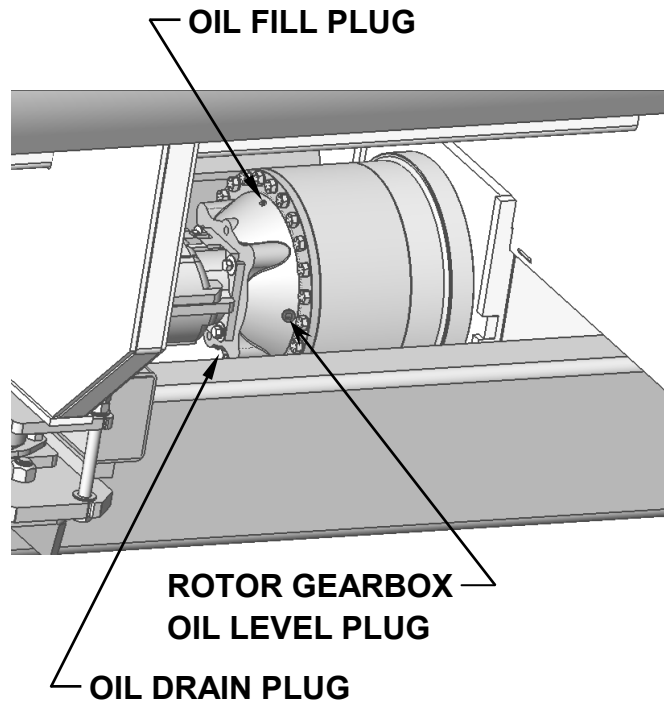
## PLANETARY GEARBOXES

Prior to operation, check oil level, oil should be visible at oil level plug, if not add to the plug level.

After the first 100 hours of operation, drain initial oil when it is warm. Flush the gear case with an approved non-flammable, non-toxic solvent. Flush gear case with compressed air before refilling. Thereafter oil should be changed every 2000 hours of operation or 12 months, which ever occurs first. Fill the gearbox with (**Mobil Delvac Synthetic Gear Oil 75W-90**) to level plug or at centerline of gearbox.



**OIL CAPACITY FOR THE TOP AUGER**  
Stationary & Truck Gearbox #344168 - 122 OZ



**OIL CAPACITY FOR THE ROTOR DRIVE**  
Stationary Gearbox #344170 - 170 OZ  
Truck Gearbox #344171 - 175 OZ.

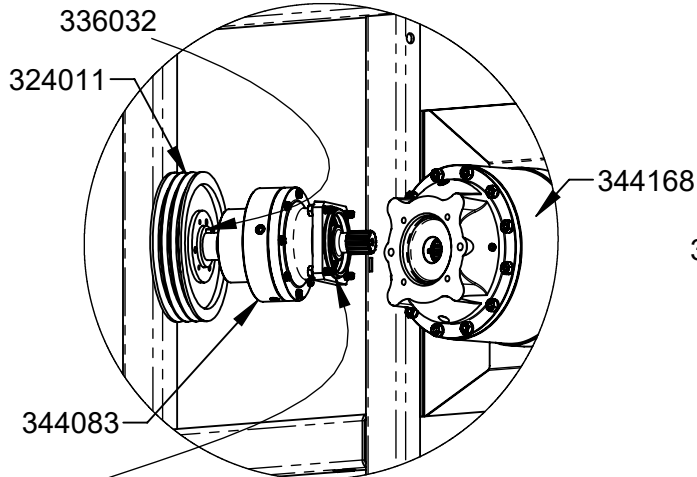
## HYDROSTAT MAINTENANCE

The hydraulic system operating the mixer is a high pressure closed loop design. Keep oil level in the reservoir visible in sight gauge . The sight gauge is also equipped with a thermometer for registering reservoir oil temperature. Oil temperature in reservoir should not exceed 190° F. The hydraulic oil filter should be changed the first 100 hours of operation then every 500 hours of operation and with every fluid change. Replace with 10 micron filter element only. The reservoir fluid should be changed every 2000 hours of operation or every 12 months, which ever occurs first. Fill the reservoir to sight gauge with (**CITGO Transgard Tractor Hydraulic Fluid - Material Code 633310001** ).

Approximately 28 gallons (106 liters). Visually check daily for any fluid leakage. Do not operate hydraulic system low or without fluid as it could damage system beyond repair.

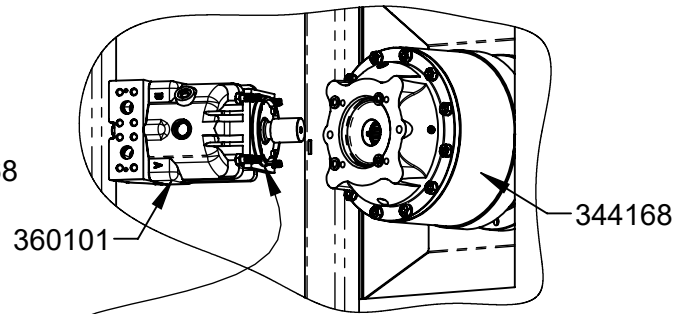
## SERVICING THE TOP AUGER DRIVE

### 1220-20 STATIONARY



#351921 O-ring is located between the overhung load adapter and the Auburn gearbox on stationary units.

### 1220-20 TRUCK



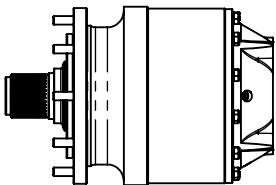
#351921 O-ring is located between the hydraulic motor and the Auburn gearbox on truck units.

#### Note for Service:

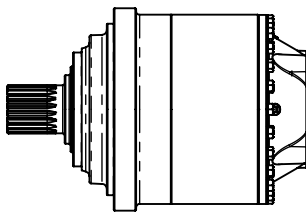
When separating the hydraulic motor or the overhung load adapter from the Auburn gearbox the oil in the gearbox will drain between the two components down to just below the half way point of the gearbox.

To minimize an oil spill, the oil can be drained from the gearbox to a level just below the half way point. When reinstalling the hydraulic motor or overhung load adapter to the Auburn gearbox, refill the gearbox to the half way point check plug with **(Mobil Delvac Synthetic Gear Oil 75W-90)**. If the Auburn gearbox is drained completely it will take approximately 122 ounces to fill it again.

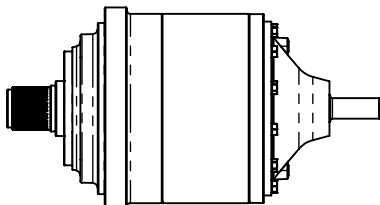
## PLANETARY GEARBOX OIL CAPACITY



The Auburn Gear Box to the left, #344168, is used on the top auger Truck and Stationary drive, it takes 122 oz of (Mobil Delvac Synthetic Gear Oil 75W-90) to the full level.



The Auburn Gear Box to the left, #344171, is used on the oil bath drive of a Truck unit, it takes 175 oz of (Mobil Delvac Synthetic Gear Oil 75W-90) to the full level.



The Auburn Gear Box to the left #344170, is used on the oil bath drive of a Stationary unit, it takes 170 oz of (Mobil Delvac Synthetic Gear Oil 75W-90) to the full level.

## 1220-20 SPECIFICATIONS

Capacity (Cu. ft.)	1220
Struck level capacity (Cu. ft.)	1378
Top Auger Bearing (Front)	PLANETARY GEARBOX
Top Auger Bearing (Rear)	3-1/2" 4-Bolt
Bottom Auger Bearing (Front)	2-15/16" 4-Bolt
Bottom Auger Bearing (Rear)	3-1/2" 4-Bolt
Rotor Bearing (Front)	4" 4-Bolt
Rotor Bearing (Rear)	9-3/4" Nylatron Sleeve
Top Auger Sprockets	140 A 26H
Bottom Auger Sprocket	140 C 45
Rotor Sprocket	180 A 102
Top Auger Flighting	3/8" x 24"OD RH 16" Pitch
Bottom Auger Flighting	(4) 3/4" & (5) 1/2" x 24"OD Full Pitch
Tub Bottom Construction	3/8" Steel
Auger Bottom Construction	3/8" Steel
Right Side Sheet Construction	7 GA (3/16") Steel
Left Side Sheet Construction	1/4" Steel
Front End Sheet Construction	1/4" Steel
Rear End Sheet Construction	1/4" Steel
Auger Drive PTO	Min. 350 Ft. Lb. Rating
Rotor Drive PTO	Min. 350 Ft. Lb. Rating

**All Dimensions & Specifications are Approximate and Subject to Change Without Notice**

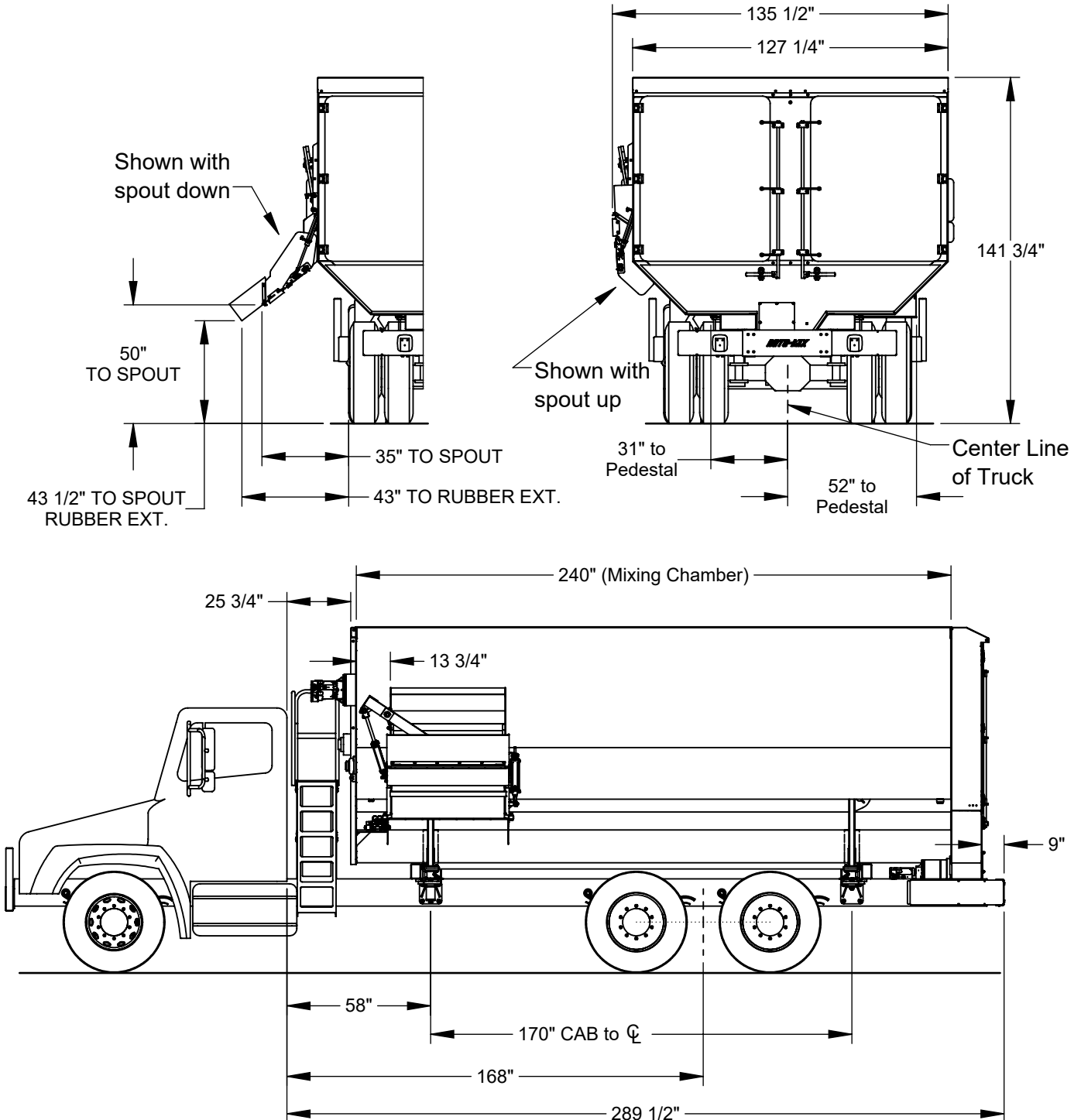


# 1220-20 TRUCK DIMENSIONS

HEIGHT DIMENSIONS BASED ON 40" TRUCK FRAME

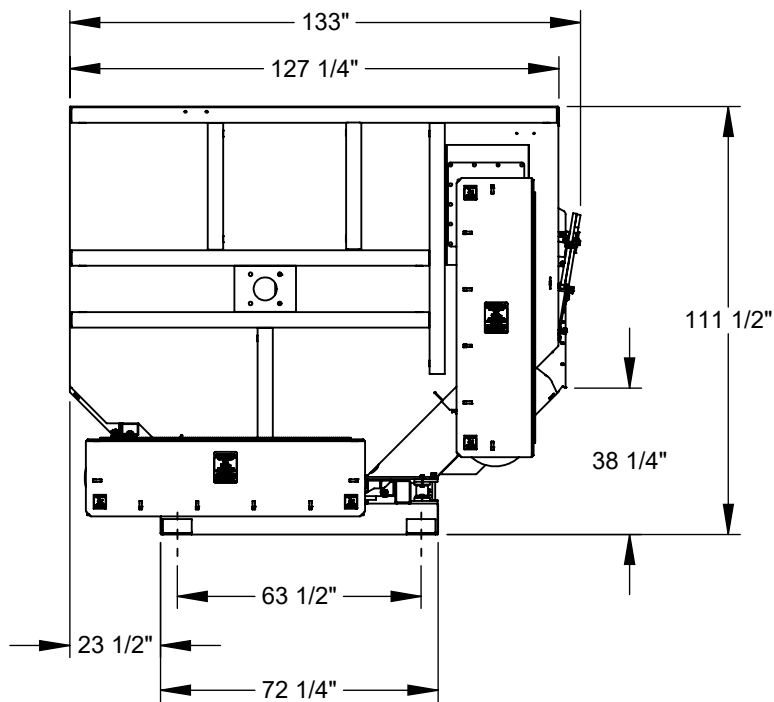
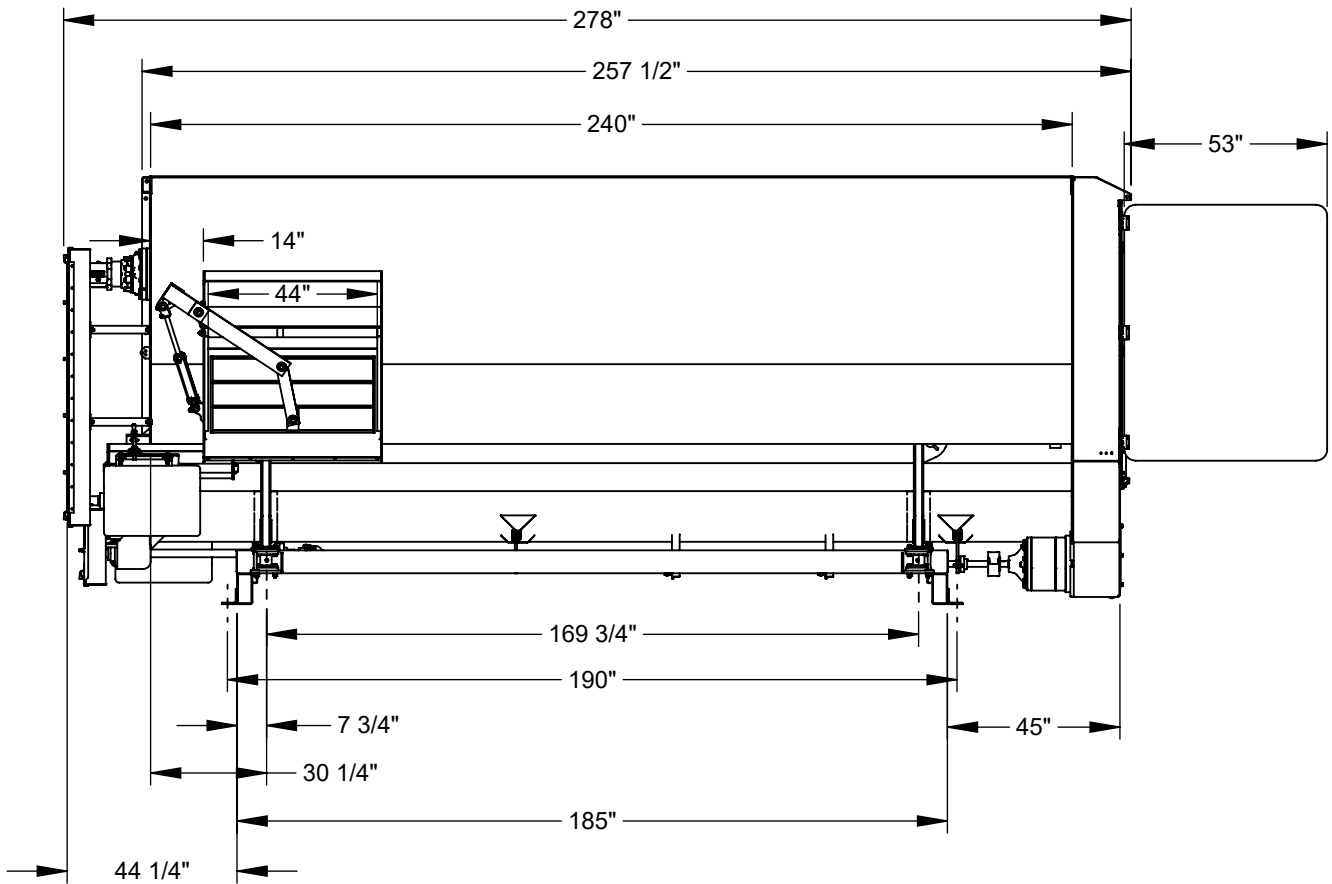
24" SPOUT STANDARD

APPROX. WEIGHT - 1220-20 ON TRUCK- 27,500 LBS.



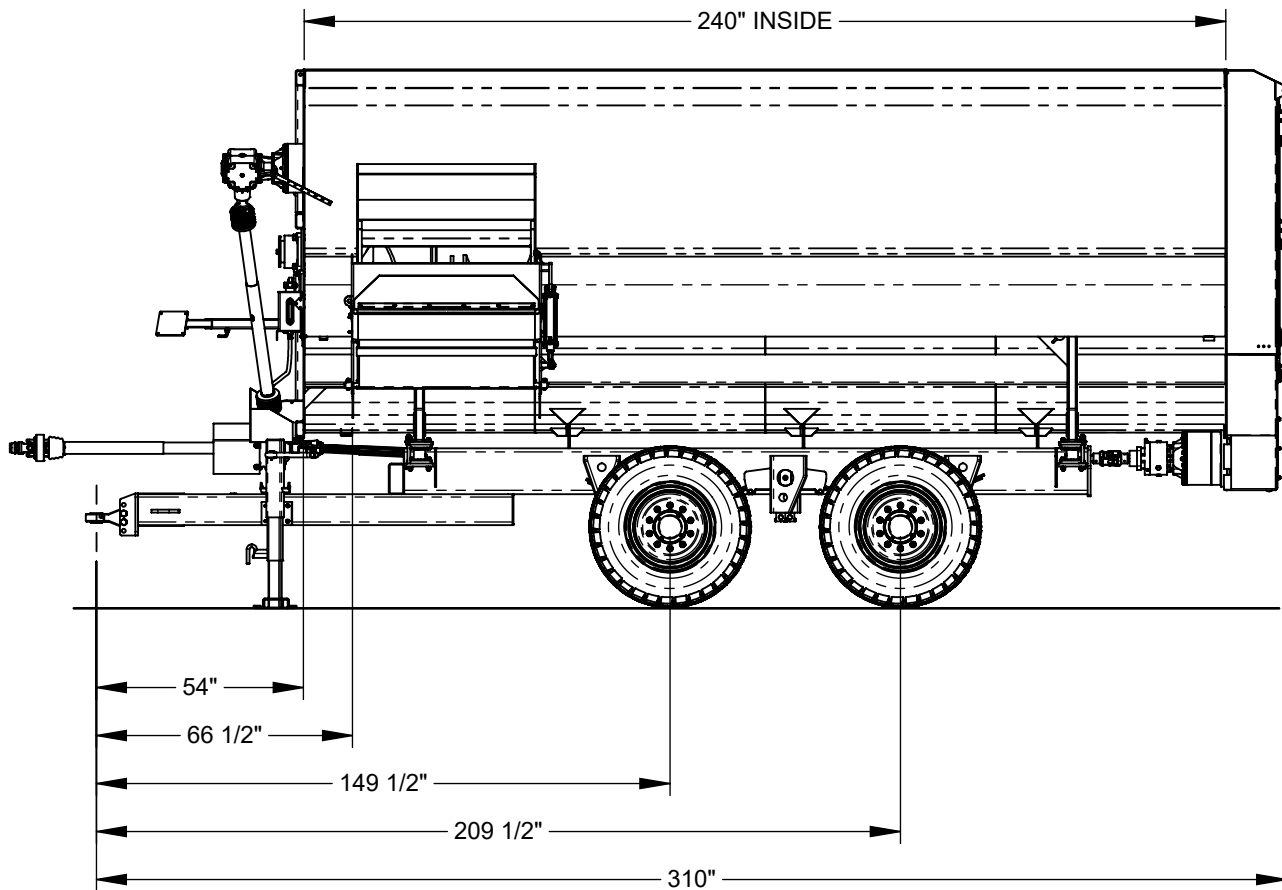
All Dimensions & Specifications are Approximate and Subject to Change Without Notice

# 1220-20 STATIONARY DIMENSIONS

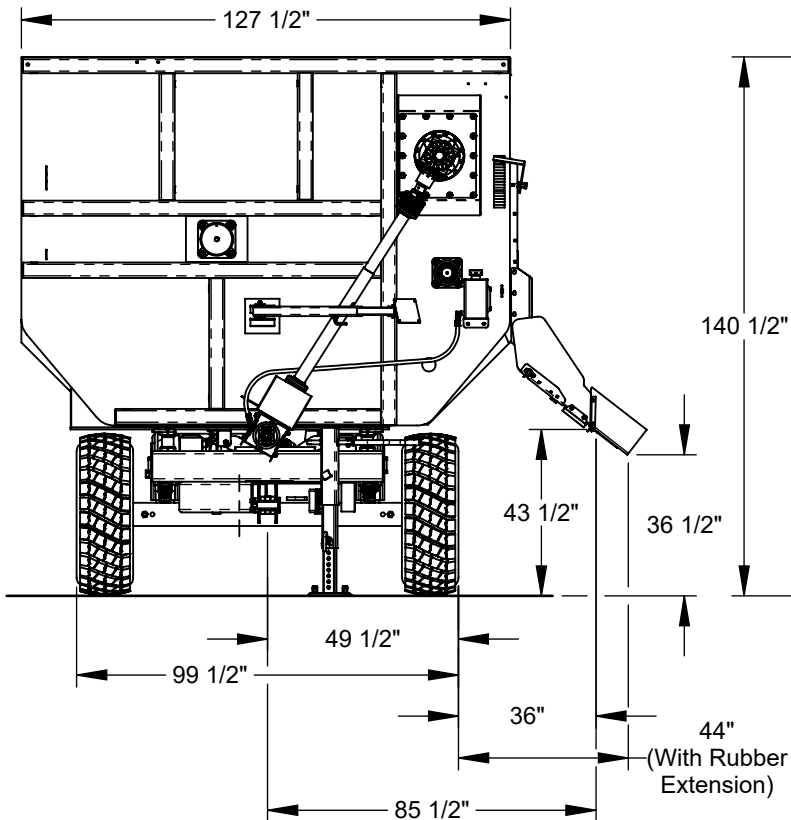


All Dimensions & Specifications are Approximate and Subject to Change Without Notice

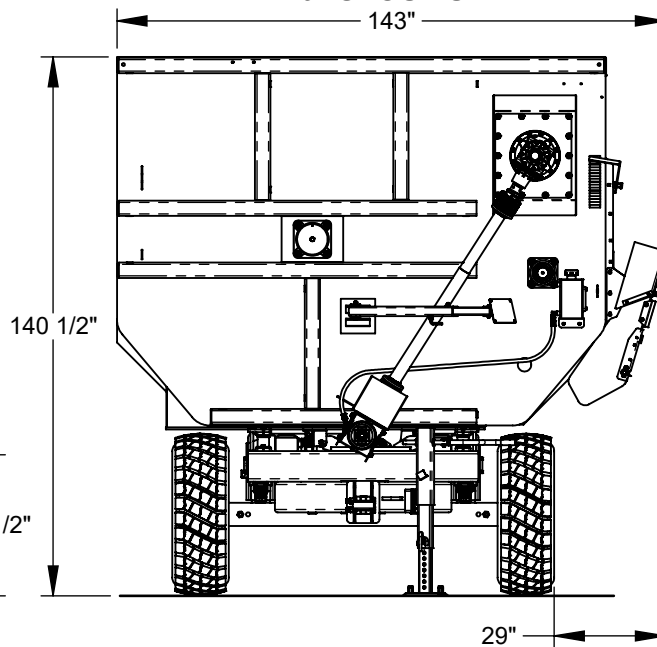
# 1220-20 TRAILER DIMENSIONS



**FRONT VIEW  
with SPOUT DOWN**

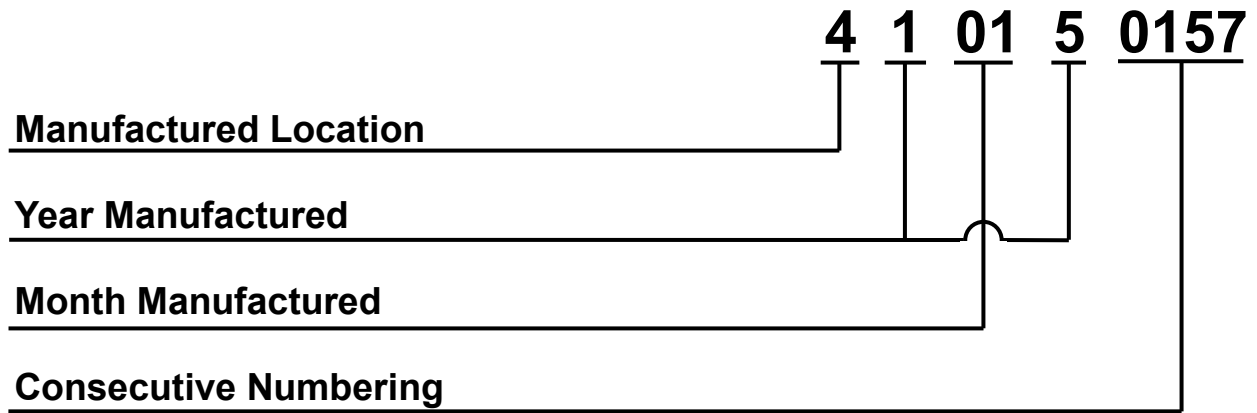


**FRONT VIEW  
with SPOUT UP**



All Dimensions & Specifications are Approximate and Subject to Change Without Notice

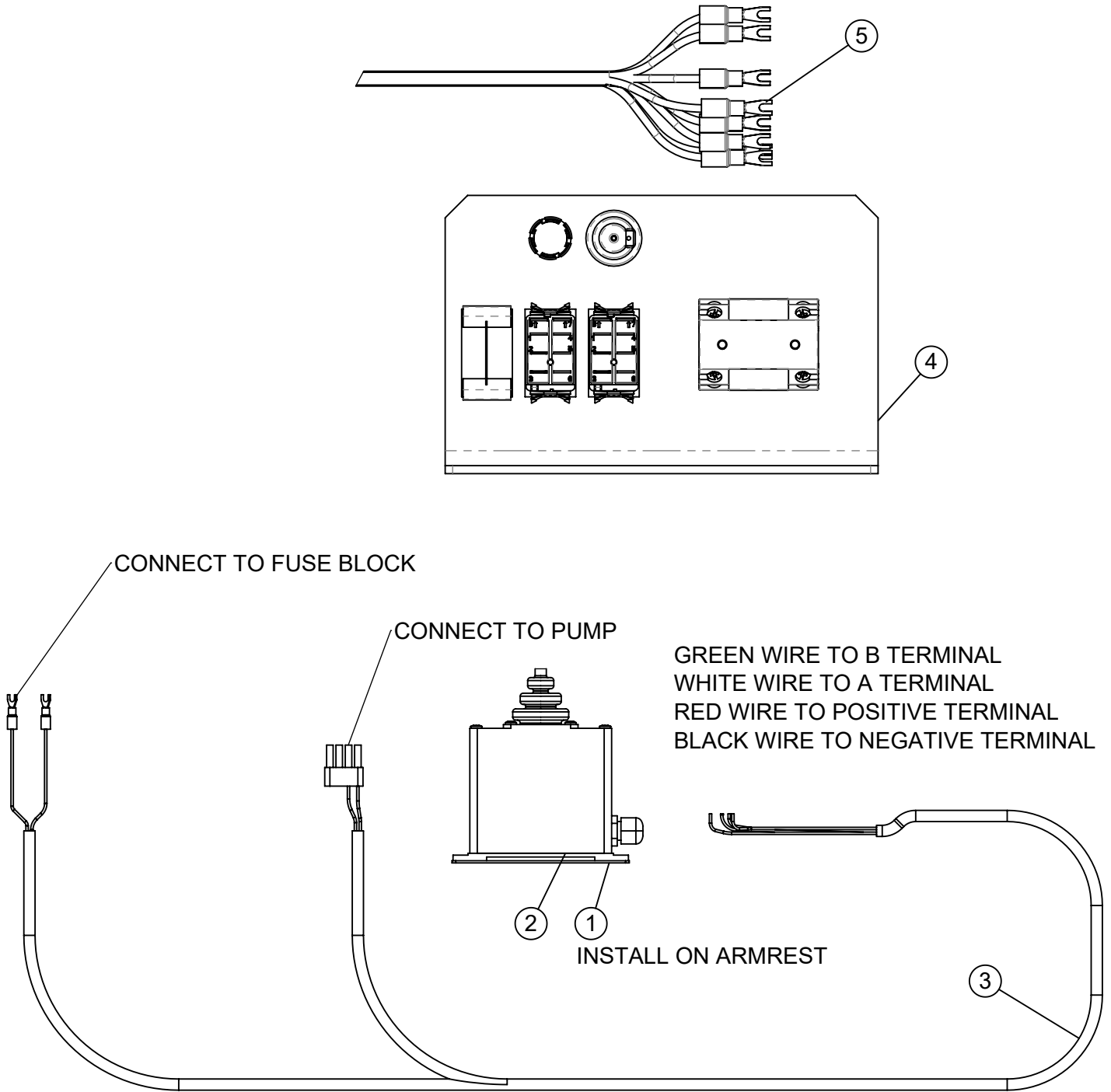
# How to read a Roto-Mix Serial Number



# REPAIR PARTS TABLE OF CONTENTS

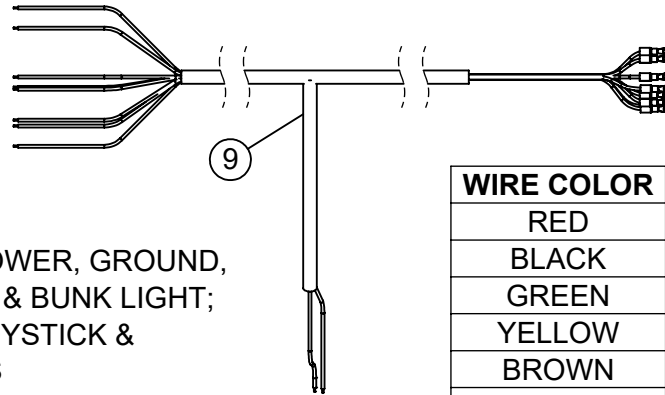
DESCRIPTION	PAGE NO.
WIRING ASSEMBLIES.....	30
JOYSTICK ASSEMBLY.....	31
DOUBLE HYDRAULIC VALVE .....	32
STANDARD DISCHARGE DOOR & LEVER ARM ASSEMBLY .....	33
WIDE DISCHARGE DOOR & LEVER ARM ASSEMBLY .....	34
STANDARD 5" DROP SPOUT ASSEMBLY .....	36-37
WIDE DISCHARGE DOOR DROP SPOUT ASSEMBLY .....	38-39
STAGGERED ROTOR ASSEMBLY .....	40
BOTTOM AUGER ASSEMBLIES.....	41
TOP AUGER ASSEMBLIES.....	42
DRIVE ASSEMBLY, CHAINS & TIGHTENERS.....	43
TOP AUGER DRIVE ASSEMBLY .....	44-45
BOTTOM AUGER DRIVE ASSEMBLY .....	46
ROTOR DRIVE ASSEMBLY.....	48-49
STATIONARY ELECTRIC DRIVE ASSEMBLY.....	50-51
STATIONARY & TRUCK SCALE FRAME & LOAD CELL COMPONENTS .....	52-53
REAR PTO TANDEM HYDRAULICS .....	54-55
OIL BATH DOOR GROUP ASSEMBLY .....	56-57
TRUCK CAB SCALE INDICATOR FRAME PARTS .....	58
PLATFORM BUNDLE .....	59
CROSS-OVER BAR KIT & HAY SHEAR BAR KIT .....	60
TRUCK FENDERS & MUD FLAPS.....	61-62
TRUCK FRONT FENDERS .....	63-65
TRUCK REAR BUMPERS.....	66-67
SHELLREPAIRPARTS.....	68-69

# 1220-20 JOYSTICK CONTROL PANEL & WIRING



ITEM #	PART #	DESCRIPTION	QTY.
1	192029	EDC ARMREST MOUNT PLATE	1
2	357710	MACHINE CONTROL HANDLE	1
3	358444	TRUCK EDC HARNESS	1
4	780081	JOYSTICK SWITCH PANEL ASSY	1
5	781055	TRUCK TO MIXER WIRE ASSY	1

# 1220-20 JOYSTICK CONTROL PANEL & WIRING

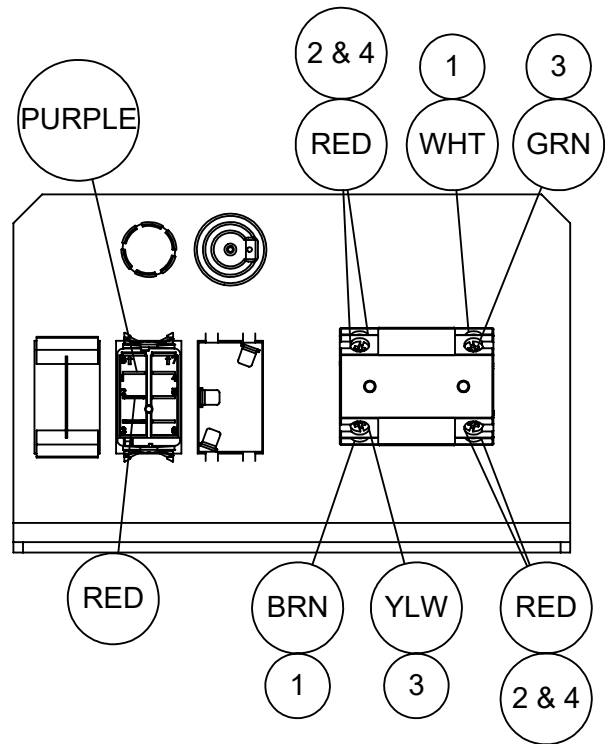
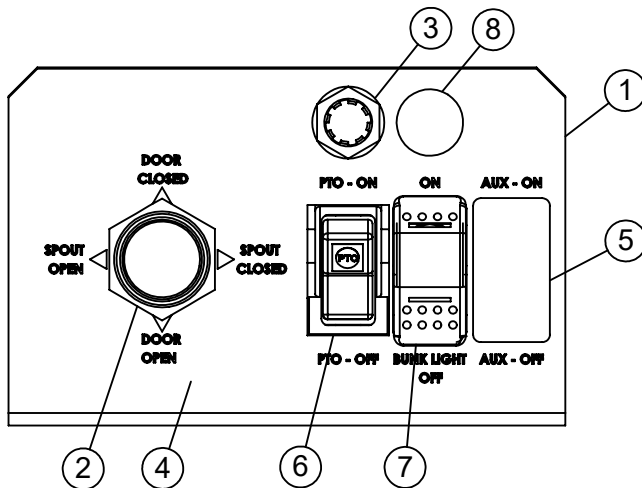


BARE ENDS FOR POWER, GROUND, HYDRAULIC VALVE, & BUNK LIGHT; FORK ENDS FOR JOYSTICK & ROCKER SWITCHES

WIRE COLOR	FUNCTION
RED	POWER
BLACK	GROUND
GREEN	DOOR STACK VALVE
YELLOW	DOOR STACK VALVE
BROWN	SPOUT STACK VALVE
WHITE	SPOUT STACK VALVE
PURPLE	BUNK LIGHTS

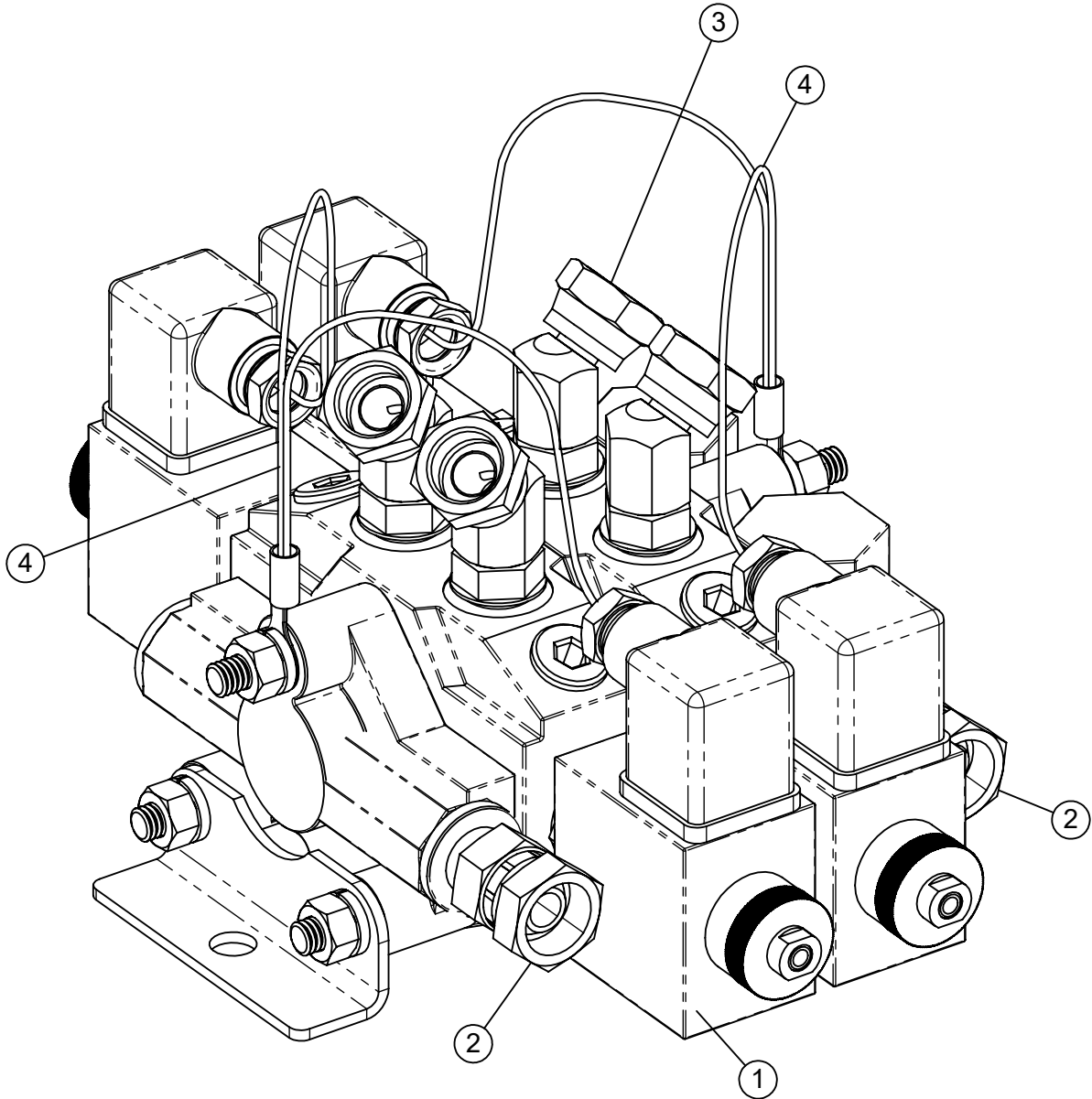
USE DIN CONNECTORS FOR HYDRAULIC STACK VALVE

USE HARNESS SUPPLIED WITH PTO FOR PTO SWITCH & LIGHT



ITEM #	PART #	DESCRIPTION	QTY.
1	190928	TRUCK SWITCH PANEL	1
2	357705	JOYSTICK, (4-WAY) SCHNEIDER 9001K35	1
3	357753	LIGHT, RED INDICATOR, 3/4" DIA.	1
4	440835	DECAL, 4-WAY JOYSTICK - HORIZONTAL	1
5	452726	PLUG, PANEL	1
6	452730	SWITCH, ROCKER ON-OFF	1
7	452744	SWITCH, ROCKER ON-OFF, SPST	1
8	452763	PLUG, PANEL 11/16" DIA	1
9	781055	TRUCK TO MIXER WIRE ASSY	1

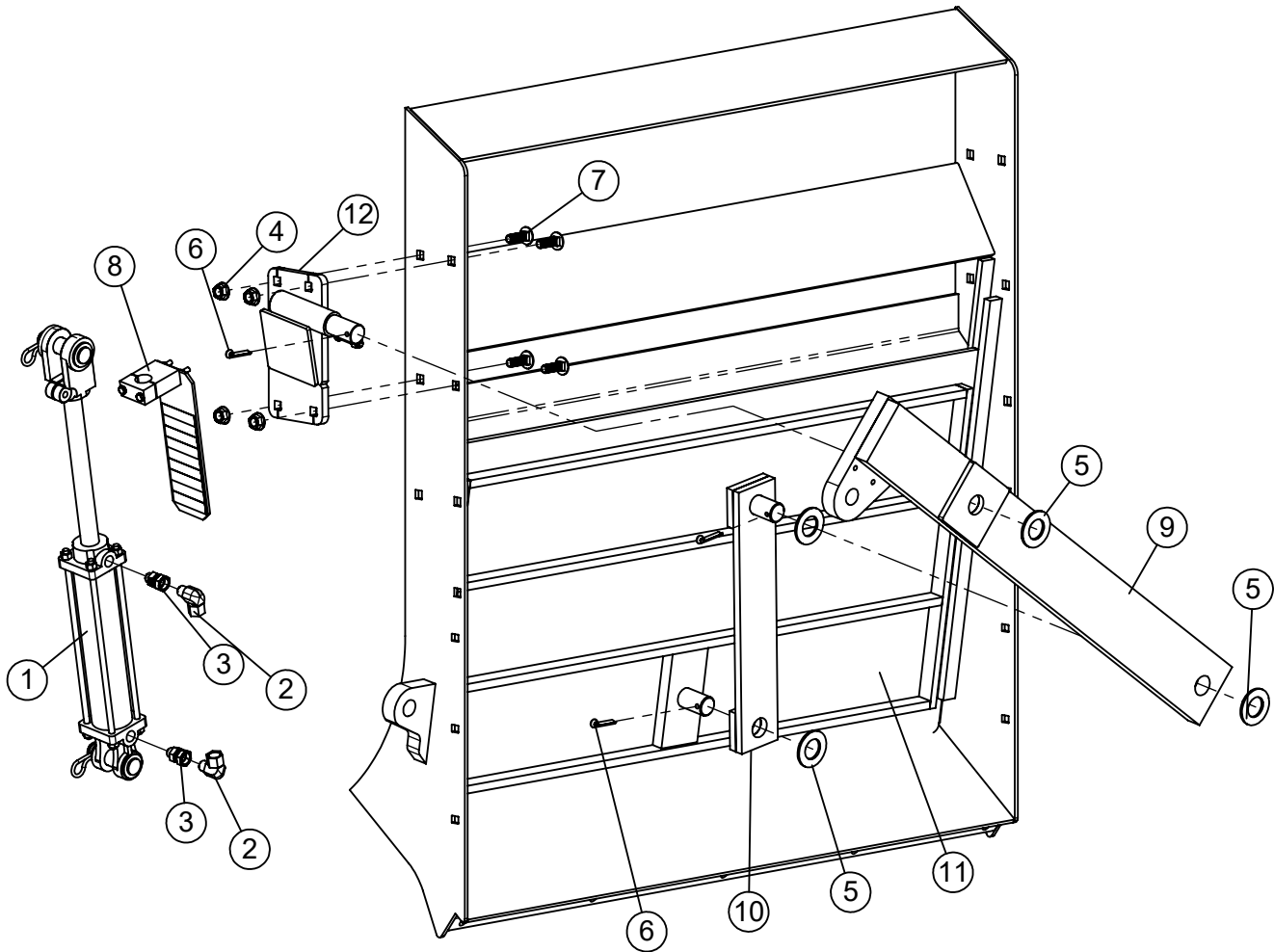
# 1220-20 DOUBLE HYDRAULIC VALVE #780123



ITEM #	PART #	DESCRIPTION	QTY.
1	362209	HYD VALVE 12V DOUBLE, BUCHER	1
2	368115	STRAIGHT ADAPTER 9/16 MOR x 3/8 FPS	2
3	368024	HYD SWIVEL 9/16" MOR x 3/8" FPS 45°	4
4	781057	12 VOLT SOLENOID VALVE GROUND WIRE	2

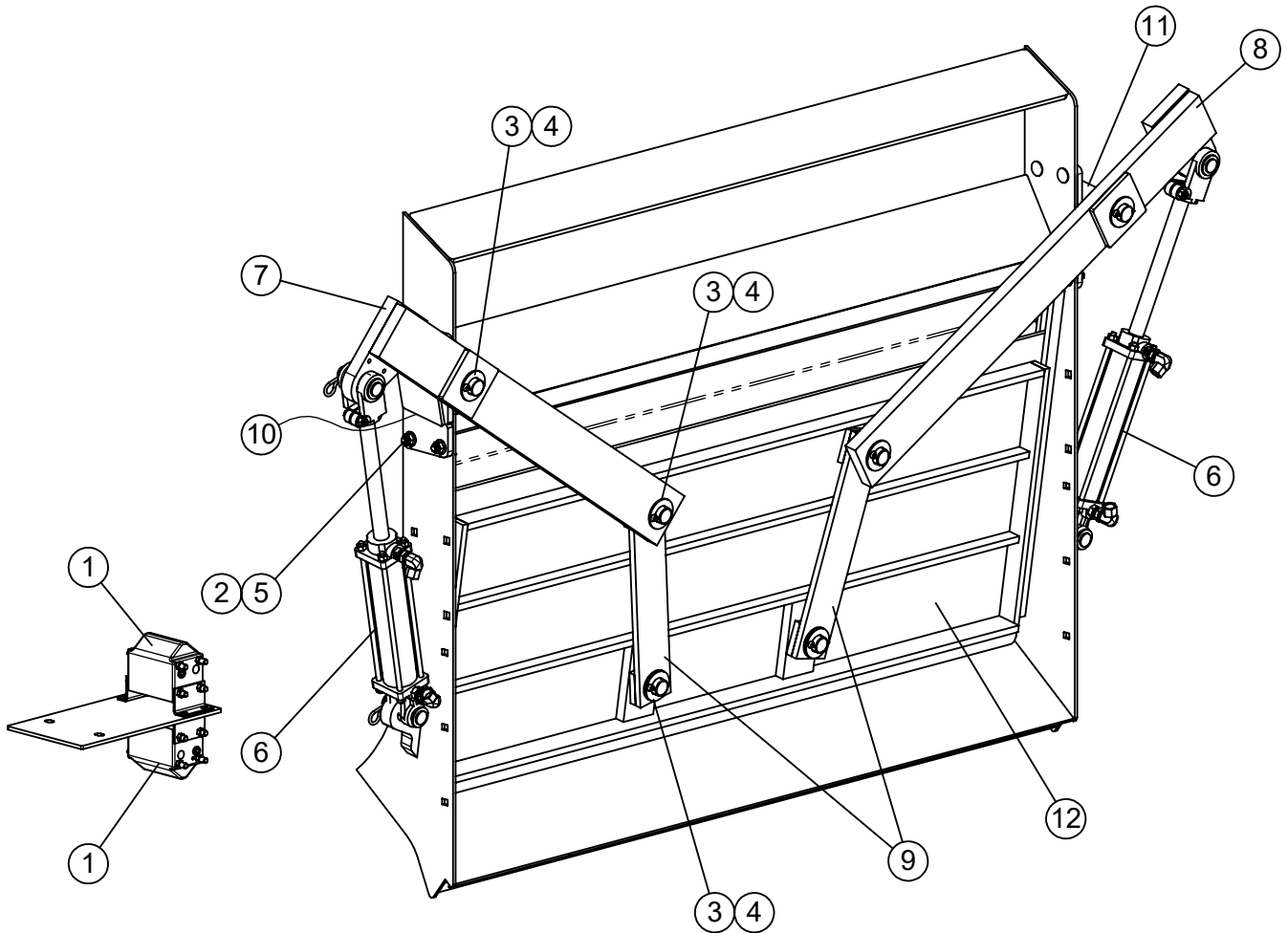


# DISCHARGE DOOR & LEVER ARM ASSY



ITEM #	PART #	DESCRIPTION	QTY.
1	364055	HYD CYL 2" x 8" 20-1/4" CL	1
2	368007	HYD ADAPTER 3/8"MP x 3/8"FPX 90° .109 orifice	2
3	368115	STRAIGHT ADAPTER 9/16 MOR x 3/8 FPS	2
4	400114	HEX NUT, 1/2-13 SERRATED FLANGE #5	4
5	402518	1-1/8" SAE Flat Washer Pltd	4
6	404000	COTTER PIN 1/4" x 1 1/2"	3
7	407102	CHCS 1/2"-13 x 1-1/2" #5 PLTD	4
8	780627	DOOR CYLINDER MARKER ASSEMBLY	1
9	872247	37 1/2" STRT DOOR LEVER ARM WA	1
10	872248	STRAIGHT DOOR ARM W.A.	1
11	872328	3/8" STRT DOOR PLT WA	1
12	873142	PIVOT PIN PLATE WA	1

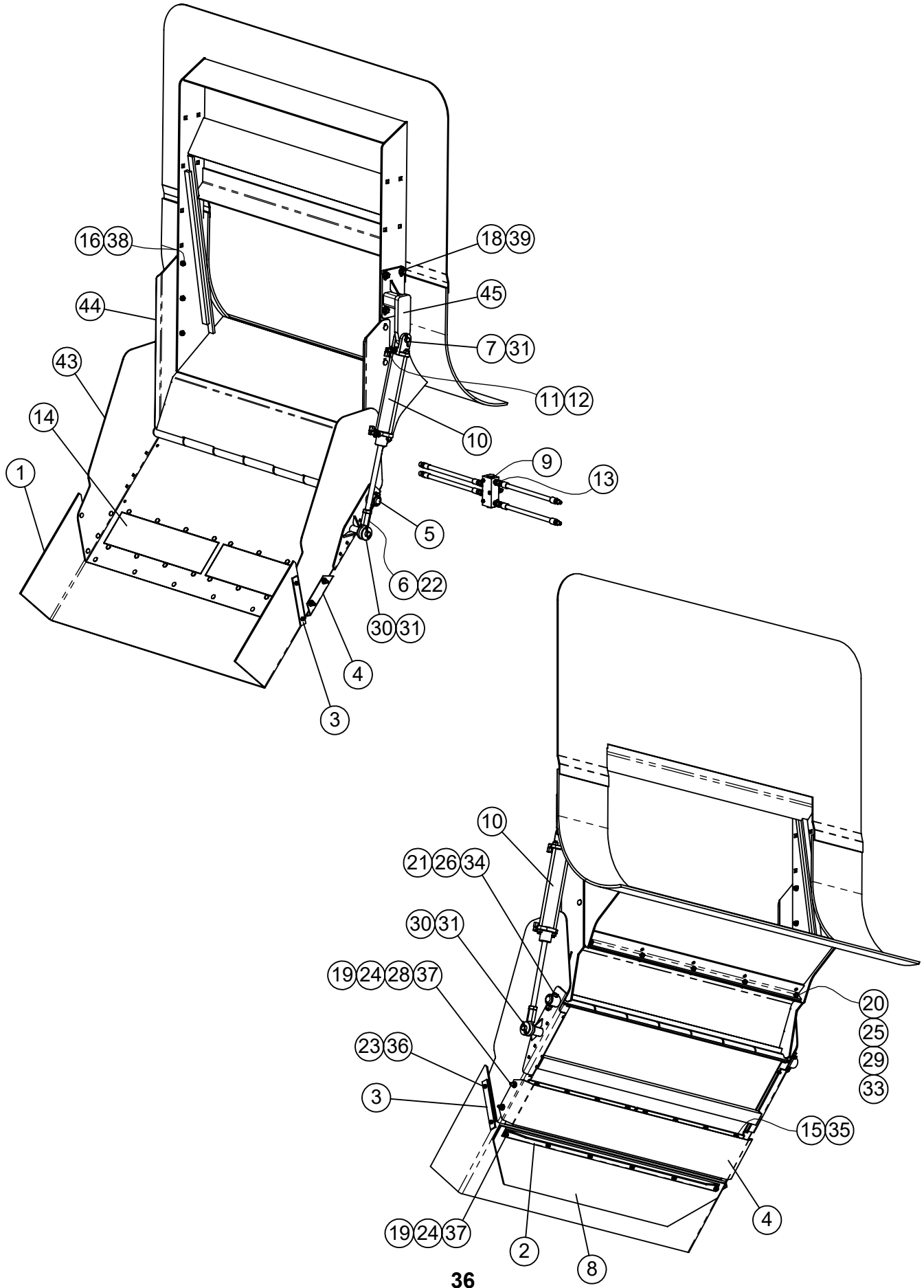
# WIDE DISCHARGE DOOR & LEVER ARM ASSEMBLY



ITEM #	PART #	DESCRIPTION	QTY.
1	362413	HYD FLOW DIVIDER, 50/50 GEAR 9.5 GPM	2
2	400114	HEX NUT, 1/2-13 SERRATED FLANGE #5	8
3	402518	1-1/8" SAE Flat Washer Pltd	8
4	404000	COTTER PIN 1/4" x 1 1/2"	6
5	407102	CHCS 1/2"-13 x 1-1/2" #5 PLTD	8
6	780109	2 X 8 STRT DOOR CYLINDER ASSY	2
7	872247	37 1/2" STRT DOOR LEVER ARM WA	1
8	872247RH	RH STRAIGHT DOOR LEVER ARM W.A.	1
9	872248	STRAIGHT DOOR ARM W.A.	2
10	873142	PIVOT PIN PLATE WA	1
11	873142RH	PIVOT PIN PLATE WA	1
12	873302	3/8" STRT DOOR PLT WA LRG DOOR, 61-3/4"	1
13	873302SS	3/8" STRT DOOR PLT WA LRG DOOR SS	1

**This page intentionally left blank.**

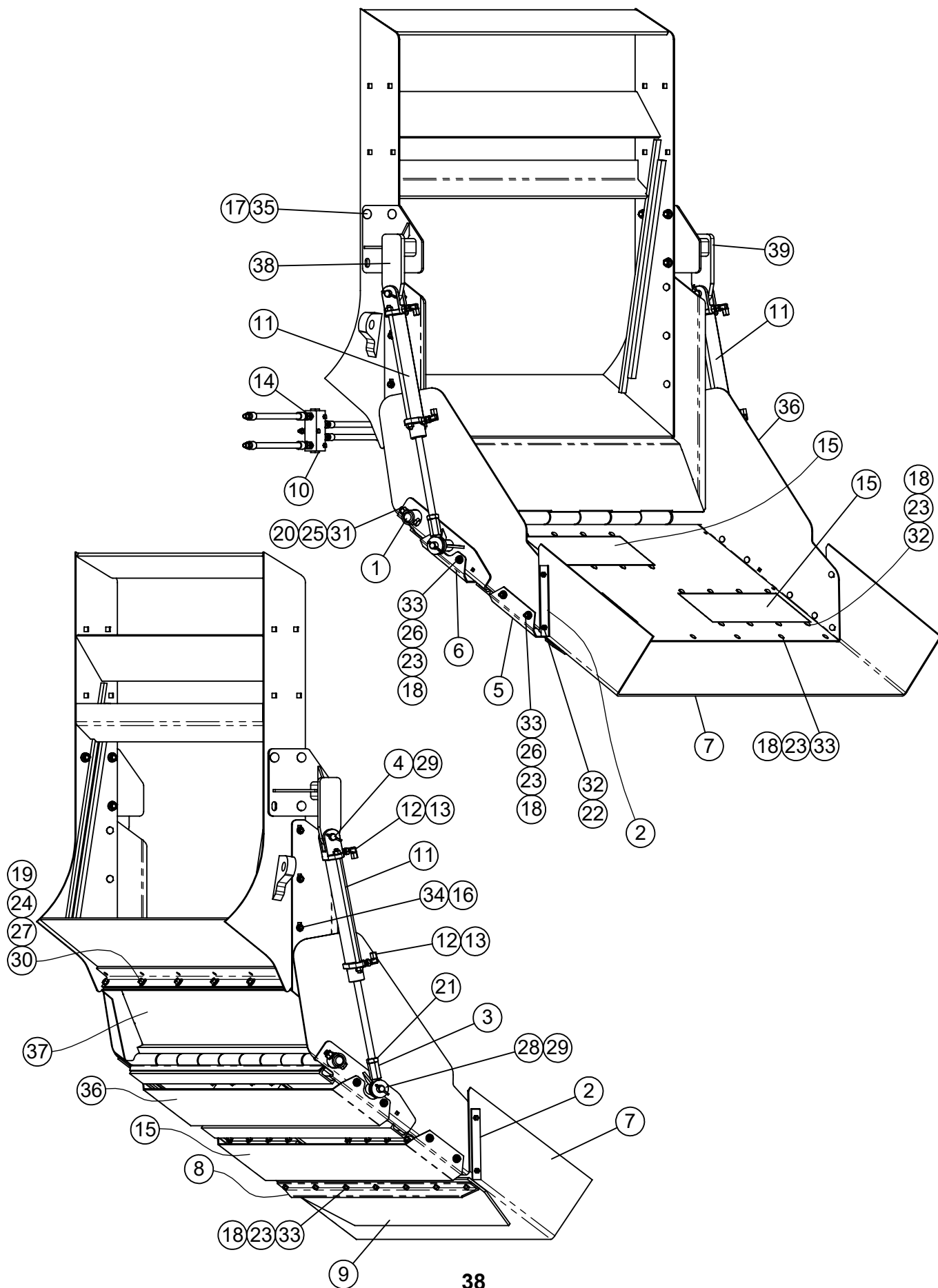
# 1220-20, 5" DROP SPOUT ASSEMBLY



## 1220-20, 5" DROP SPOUT ASSEMBLY

ITEM #	PART #	DESCRIPTION	QTY.
1	183145	SPOUT RUBBER 16" x 64"	1
2	183152	SPOUT BACKUP ANGLE, 47"	1
3	183160	SPOUT RUBBER SIDE BAR x 8"	2
4	189079	SPOUT MAGNET GUARD, 24" XD	1
5	190758	SPOUT SHAFT	1
6	192019P	SPOUT CYLINDER ROD END (DANUSER)	1
7	192097	PIN, CYLINDER CLEVIS	1
8	192118P	SPOUT RUBBER SUPPORT	1
9	362219	DOUBLE PILOT OPERATED CHECK VALVE, 3/8" NPT PORTS	1
10	364078	HYD CYL 1-1/2 x 10 x 17-3/16 (LESS CLEVIS)	1
11	368011	HYD ADAPTER, 1/4MP x 1/4FPX 90° 1/16"ORIFICE	2
12	368106	STR. 9/16"MOR x 1/4"FP SWIVEL	2
13	368110	HYD ADAPTER, STRAIGHT 3/8MP x 3/8FP SWIVEL	4
14	375005	ACRO PLATE MAGNET AM 2200,	2
15	400106	HEX NUT, 5/16"-18 SER. FLANGE #5 PLTD	16
16	400107	HEX NUT, 3/8"-16 SERRATED FLANGE #5	6
18	400114	HEX NUT, 1/2"-13 SERRATED FLANGE #5	3
19	400205	HEX NUT 5/16"-18 #5 PLTD	10
20	400206	HEX NUT 3/8"-16 #5 PLTD	5
21	400208	HEX NUT 1/2"-13 #5 PLTD	2
22	400712	HEX JAM NUT 3/4"-16	1
23	400905	HEX CROWN LOCNUT 5/16"-18 G5 PLT	4
24	402005	WASHER 5/16", SPRING LOCK, MED PLTD	10
25	402006	WASHER SPRING LOCK 3/8" MED PLTD	5
26	402008	SPRING LOCK WASHER 1/2" PLTD	2
28	402405	FLAT WASHER MED PLTD 5/16"	4
29	402406	FLAT WASHER 3/8" PLTD	5
30	402412	FLAT WASHER 3/4" PLTD	1
31	404002	COTTER PIN 3/16" x 1 1/2"	3
33	405653	HHCS 3/8"-16 x 1" #5 PLTD	5
34	405707	HHCS 1/2"-13 x 2-1/2" #5 PLTD	2
35	407020	CHCS 5/16"-18 x 3/4" #5 PLTD	16
36	407021	CHCS 5/16"-18 x 1" #5 PLTD	4
37	407022	CHCS 5/16"-18 x 1-1/4"	10
38	407040	CHCS 3/8"-16 x 1" #5 PLTD	6
39	407101	CHCS 1/2"-13 x 1-1/4" #5 PLTD	3
43	873138	SPOUT WA, 24" XD	1
44	873380	DROP SPOUT HINGE W.A.	1
45	873381	DROP SPOUT CYLINDER BRACKET WA	1

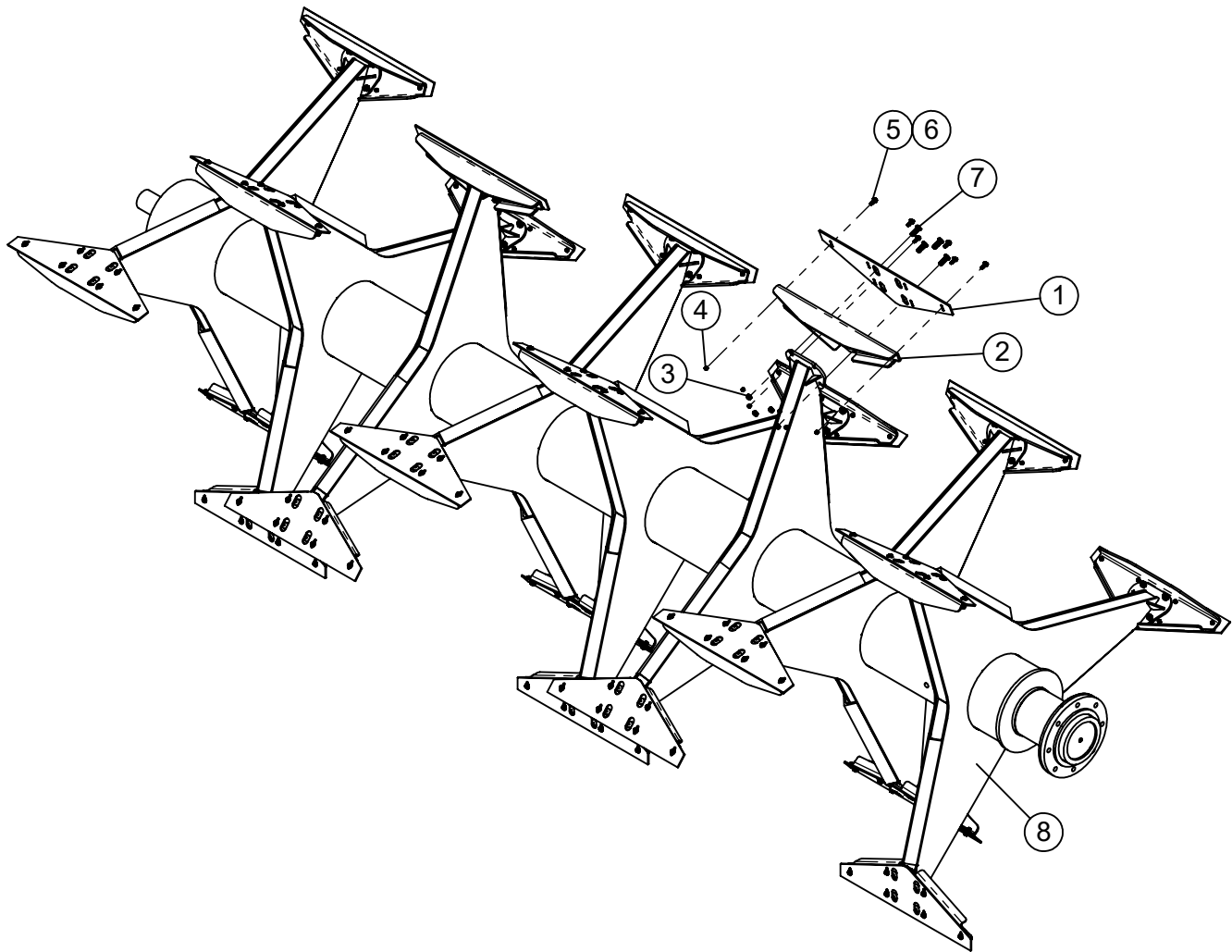
# 1220-20 WIDE DISCHARGE DOOR, DROP SPOUT ASSY



# 1220-20 WIDE DISCHARGE DOOR, DROP SPOUT ASSY

ITEM #	PART #	DESCRIPTION	QTY.
1	182240	SHAFT, SPOUT, WIDE DOOR, 620	1
2	183160	SPOUT RUBBER SIDE BAR x 8"	2
3	192019P	SPOUT CYLINDER ROD END (DANUSER)	2
4	192097	PIN, CYLINDER CLEVIS	2
5	192258	SPOUT MAGNET GUARD,	1
6	192258L	SPOUT MAGNET GUARD, 24" XD	1
7	192259	SPOUT RUBBER	1
8	192262	SPOUT BACKUP ANGLE, 47"	1
9	192264	SPOUT RUBBER SUPPORT (540/920)	1
10	362219	DOUBLE PILOT OPERATED CHECK VALVE, 3/8" NPT PORTS	1
11	364078	HYD CYL 1-1/2 x 10 x 17-3/16 (LESS CLEVIS)	2
12	368011	HYD ADAPTER, 1/4MP x 1/4FPX 90° 1/16"ORIFICE	4
13	368106	STR. 9/16"MOR x 1/4"FP SWIVEL	4
14	368110	HYD ADAPTER, STRAIGHT 3/8MP x 3/8FP SWIVEL	4
15	375005	ACRO PLATE MAGNET AM 2200,	3
16	400107	HEX NUT, 3/8"-16 SERRATED FLANGE #5	6
17	400114	HEX NUT, 1/2"-13 SERRATED FLANGE #5	6
18	400205	HEX NUT 5/16"-18 #5 PLTD	39
19	400206	HEX NUT 3/8"-16 #5 PLTD	6
20	400208	HEX NUT 1/2"-13 #5 PLTD	1
21	400712	HEX JAM NUT 3/4"-16	2
22	400905	HEX CROWN LOCNUT 5/16"-18 G5 PLT	4
23	402005	WASHER 5/16", SPRING LOCK, MED PLTD	39
24	402006	WASHER SPRING LOCK 3/8" MED PLTD	6
25	402008	SPRING LOCK WASHER 1/2" PLTD	2
26	402405	FLAT WASHER MED PLTD 5/16"	8
27	402406	FLAT WASHER 3/8" PLTD	6
28	402412	FLAT WASHER 3/4" PLTD	2
29	404002	COTTER PIN 3/16" x 1 1/2"	6
30	405653	HHCS 3/8"-16 x 1" #5 PLTD	6
31	405707	HHCS 1/2"-13 x 2-1/2" #5 PLTD	1
32	407021	CHCS 5/16"-18 x 1" #5 PLTD	28
33	407022	CHCS 5/16"-18 x 1-1/4"	15
34	407040	CHCS 3/8"-16 x 1" #5 PLTD	6
35	407101	CHCS 1/2"-13 x 1-1/4" #5 PLTD	6
36	873356	SPOUT WA ( 64" ) 620	1
37	873383	SPOUT HINGE WA-LARGE DOOR	1
38	875576	SPOUT CYL OFFSET DRP BRKT WA	1
39	875576RH	SPOUT CYL OFFSET DRP BRKT WA-RH	1

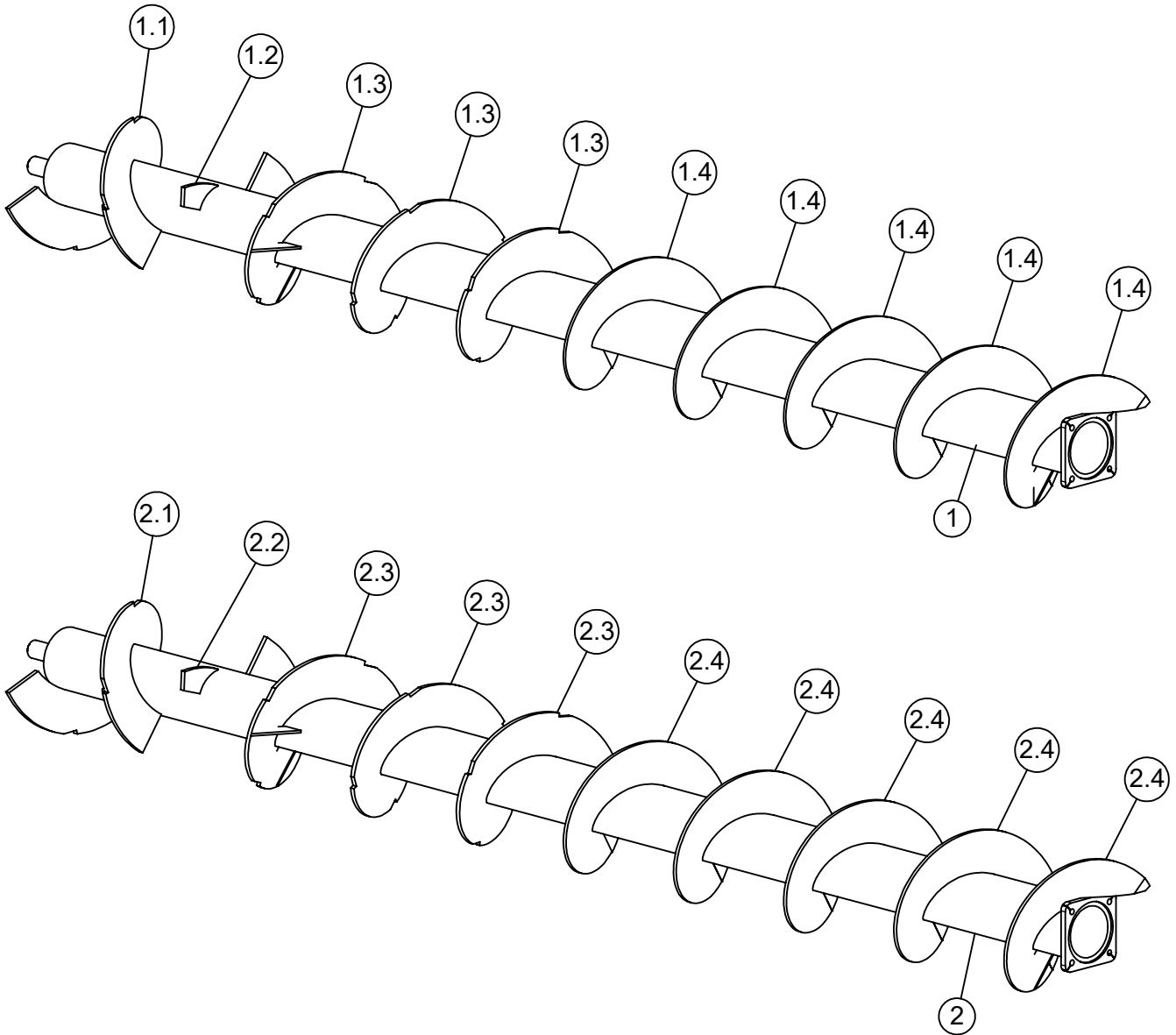
# 1220-20 STAGGERED ROTOR ASSEMBLY



ITEM #	PART #	DESCRIPTION	QTY.
1	190339P	PLASTIC WIPER	24
2	190770	WIPER CHANNEL 5/8 BOLTS	24
3	400910	HEX CROWN LOCNUT 5/8"-11 #9 PLTD	96
4	401106	HEX NUT, 3/8"-16 NYLOC #5 PLTD	144
5	402806	FLAT WASHER 3/8" #9 BOWMALLOY	144
6	406906	HHCS 3/8"-16 x 1-1/4" #9 BOWMALLOY	144
7	407130	CHCS 5/8"-11 x 2" #8 PLTD	96
8	873314	1220-20 STAGGERED ROTOR	1

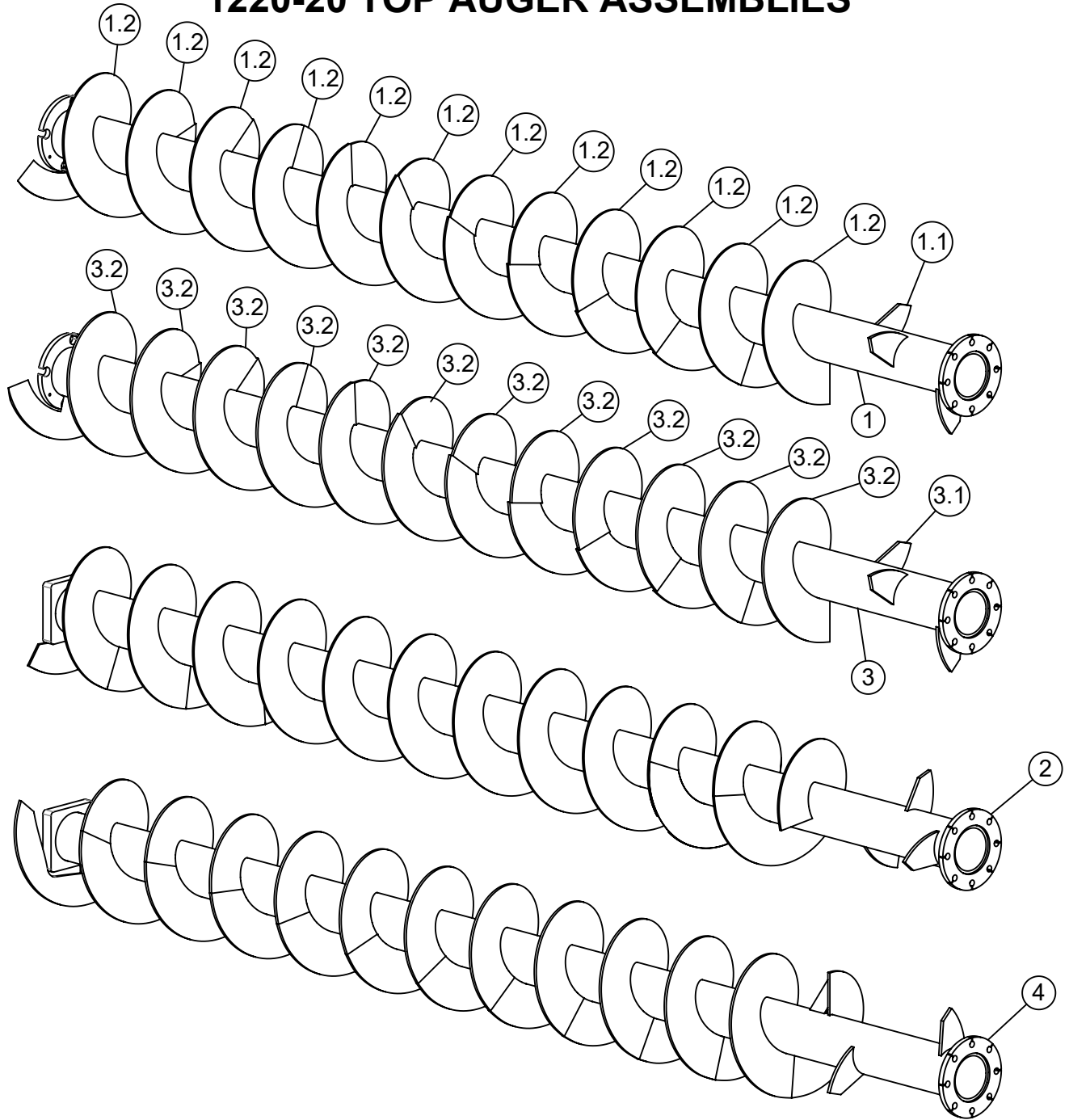


# 1220-20 BOTTOM AUGER ASSEMBLIES



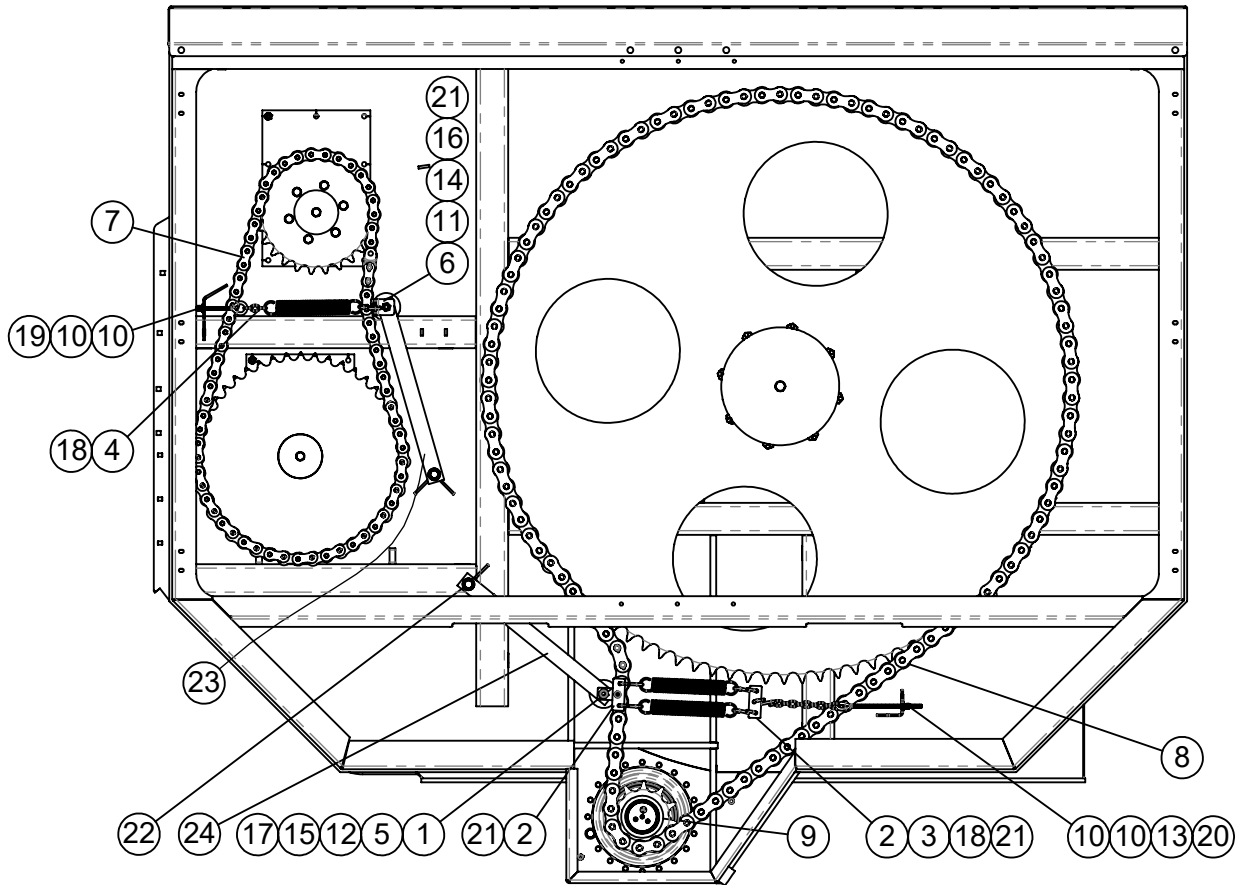
ITEM #	PART #	DESCRIPTION	QTY.
<b>1</b>	<b>873316</b>	<b>1220 BTM AUGER, 3/4" FLIGHT</b>	<b>1</b>
1.1	382470	24" OD x 10" ID x 3/4" RH FULL PITCH	1
1.2	191021	1220 BTM AUGER KICKER	2
1.3	382469	24" OD x 10" ID x 3/4" LH FULL PITCH	3
1.4	382471	24" OD x 10" ID x 1/2" LH FULL PITCH	5
<b>2</b>	<b>873373</b>	<b>1220 EXTRA DUTY BTM AUGER</b>	<b>1</b>
2.1	382470	24" OD x 10" ID x 3/4" RH FULL PITCH	1
2.2	191021	1220 BTM AUGER KICKER	2
2.3	382469	24" OD x 10" ID x 3/4" LH FULL PITCH	3
2.4	382473	24" OD x 10" ID x 5/8" LH FULL PITCH	5

## 1220-20 TOP AUGER ASSEMBLIES



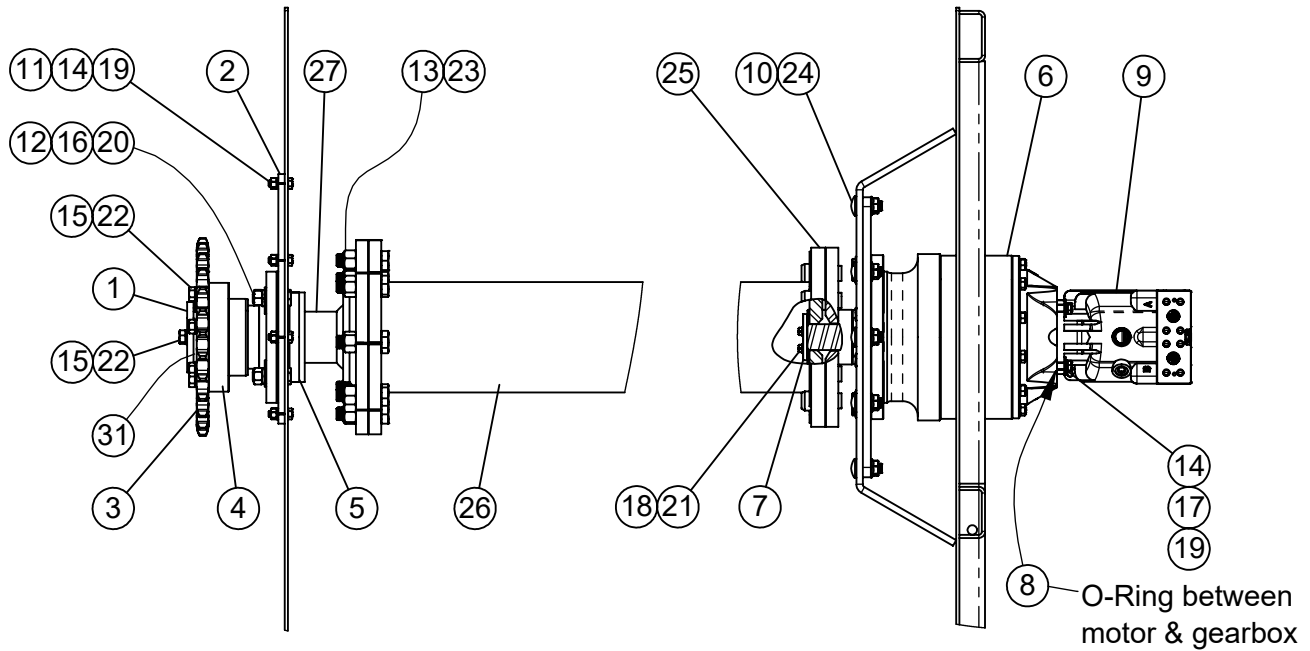
ITEM #	PART #	DESCRIPTION	QTY.
1	873317	1220 24" TOP AUGER WA (PRIOR TO SERIAL # 820532540)	1
1.1	191026	1220 TOP AUGER PADDLE	3
1.2	382468	FLIGHT 24"OD x 8 5/8"ID x 3/8" RH 2/3 PITCH	12
1.3	190010	620 BTM AUGER TUBE FLANGE	1
2	874240	1220 SD TOP AUGER (STARTING WITH SERIAL # 820532540)	1
3	873372	1220 HEAVY TOP AUGER (PRIOR TO SERIAL # 820532540)	1
3.1	191026	1220 TOP AUGER PADDLE	3
3.2	382472	FLIGHT 24"OD x 8 5/8"ID x 1/2" RH 2/3 PITCH	12
3.3	190010	620 BTM AUGER TUBE FLANGE	1
4	874241	1220 SD HVY TOP AUGER (START WITH SERIAL# 820532540)	1

# 1220-20 DRIVE ASSEMBLY CHAINS & TIGHTENERS



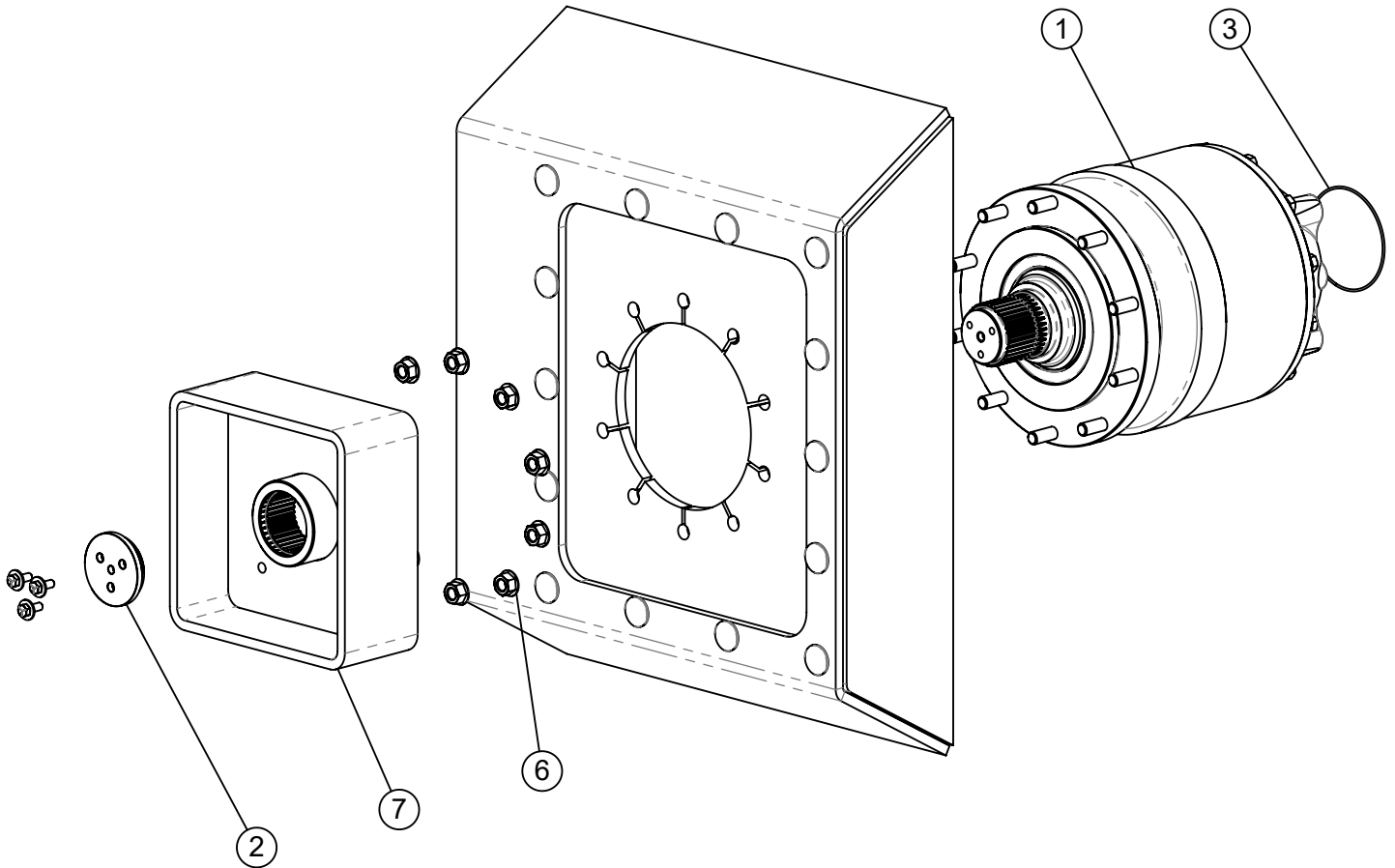
ITEM #	PART #	DESCRIPTION	QTY.
1	181198	PULL TAB 3/4"	1
2	185290	SPRING PULL BAR	2
3	185488	CHAIN-2/0 PASSING LINK	1
4	185488	CHAIN-2/0 PASSING LINK	1
5	189472	180 IDLER BLOCK	1
6	190836	FORMED IDLER ANGLE	1
7	321471	ROLLER CHAIN #140 x 71 PITCH COMPLETE	1
8	321806SH	ROLLER CHAIN #180 x 116 PITCH SUPER HEAVY	1
9	872586	SPROCKET, 180C11, SPLINED	1
10	400206	HEX NUT 3/8"-16 #5 PLTD	4
11	400910	HEX CROWN LOCNUT 5/8"-11 #9 PLTD	1
12	400912	HEX CROWN LOCK NUT 3/4"-10 #5 PLTD	1
13	402406	FLAT WASHER 3/8" PLTD	2
14	402410	FLAT WASHER 5/8" MED PLTD	1
15	402512	FLAT WASHER 3/4" SAE	1
16	405762	HHCS 5/8"-11 x 4" #5 PLTD	1
17	405789	HHCS 3/4"-10 x 5" #5 PLTD	1
18	410012	PULL SPRING 1-3/4" x 7"	3
19	410851	EYE BOLT 3/8" X 6"	1
20	410852	EYE BOLT 3/8" X 8"	1
21	411805	S - HOOK 5/16"	6
22	412416	SET COLLAR 1" PLTD	4
23	872252	IDLER ARM 5/8"BORE, 21 3/4"	1
24	872402	IDLER ARM 3/4" BORE, 21-3/4"	1

# 1220-20 DRIVE ASSEMBLY, TOP AUGER



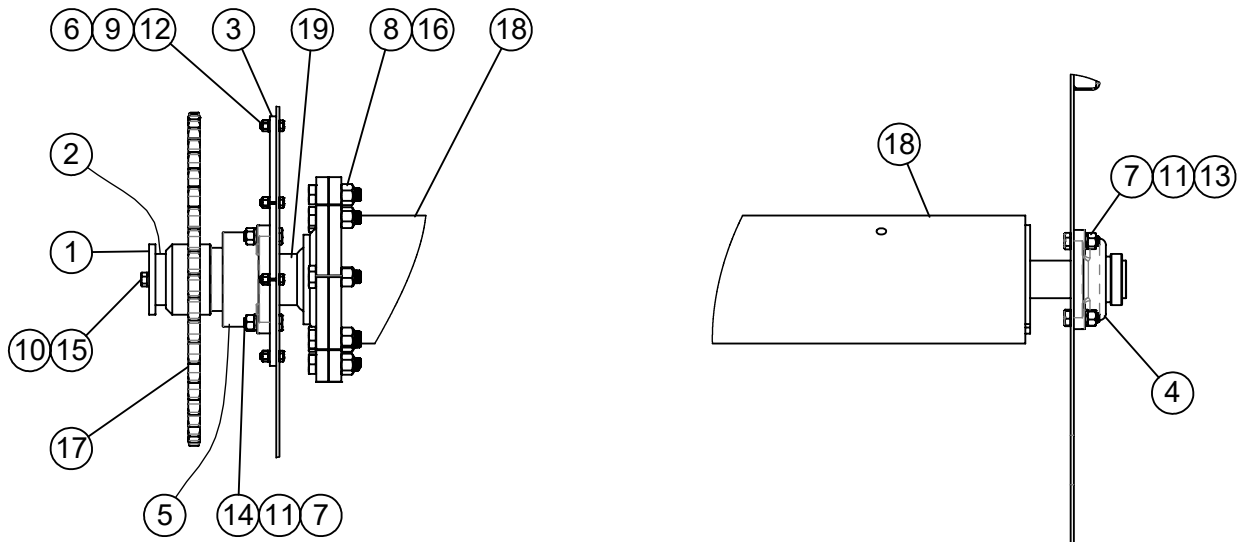
ITEM #	PART #	DESCRIPTION	QTY.
1	185261	WASHER 5 1/2" O.D.	1
2	185871	620/920 TOP AUGER BEARING PLATE	1
3	190478	SPROCKET, 140A26H 4.505" BORE	1
4	190974	SPLINED TOP AUGER SPROCKET HUB (4")	1
5	342156	BEARING, 3-1/2", ROUND FLANGE	1
6	344168	GEARBOX, AUBURN 60003780	1
7	192653	SHAFT COVER RDF090	1
8	351921	O-RING 4.987"ID x .103 c/s (5"ID x 3/32")	1
9	360101	HYDRAULIC MOTOR, SUNDRAND 100cc	1
10	400116	HEX NUT, 3/4"-10 SERRATED FLANGE #5 PLTD	14
11	400208	HEX NUT 1/2"-13 #5 PLTD	20
12	400212	HEX NUT 3/4"-10 #5 PLTD	4
13	400916	HEX CROWN LOCKNUT, 1"-8 #5 PLTD	8
14	402008	SPRING LOCK WASHER 1/2" PLTD	14
15	402010	SPRING LOCK WASHER 5/8" PLTD	7
16	402012	SPRING LOCK WASHER 3/4" PLTD	8
17	402408	WASHER, FLAT 1/2" MED PLTD	5
18	402506	FLAT WASHER 3/8" SAE PLTD	1
19	405703	HHCS 1/2"-13 x 1-1/2" #5 PLTD	14
20	405781	HHCS 3/4"-10 x 2-1/2" #5 PLTD	4
21	406053	HHCS 3/8"-24 x 1" #5 PLTD	1
22	406454	HHCS 5/8"-11 x 2" #8 PLTD	7
23	406526	HHCS #8 Pltd 1"-8 x 3 1/2"	8
24	407140	CHCS 3/4"-10 x 2" #5 PLTD	14
25	872911	AUGER 14" DR FLANGE WA (PRIOR TO S/N 820532540)	1
26	873317	1220 24" TOP AUGER WA (PRIOR TO S/N 820532540)	1
27	873387	BTM AUGER RND DRIVE FLG, 3-1/2" SPLINE	1

# 1220-20 TOP AUGER DRIVE ASSEMBLY (STARTING WITH SERIAL NO. 820532540)



ITEM #	PART #	DESCRIPTION	QTY.
1	344168	GEARBOX, AUBURN 60003780	1
2	192653	SHAFT COVER RDF090	1
3	351921	O-RING 4.987"ID x .103 c/s (5"ID x 3/32")	1
4	352010	SILICONE (CLEAR) 10.5oz.	1
5	434003	SYNTHETIC GEAR LUBE 75W-90	1
6	470044	BOLT BAG, 920 AUGER GRBX AUBURN	1
7	873442	DRIVE FLANGE WA, ( SQUARE ) 1220 TOP AUGER	1

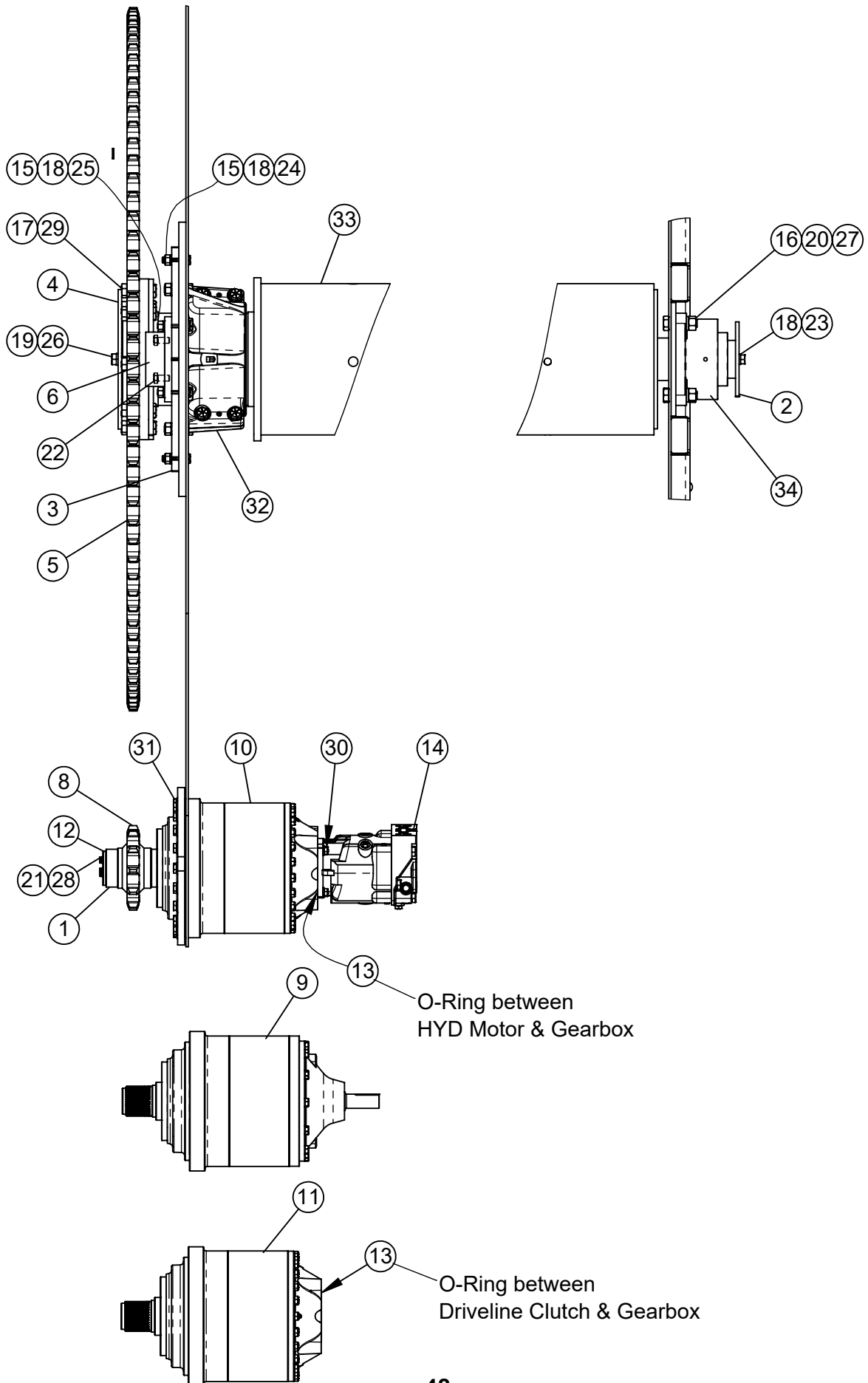
# 1220-20 DRIVE ASSEMBLY, BOTTOM AUGER



ITEM #	PART #	DESCRIPTION	QTY.
1	185261	WASHER 5 1/2" O.D.	1
2	188255	SHAFT SPACER 3-1/2" x 13/16"L	1
3	189412	920 BTM AUGER BEARING PLATE	1
4	340447	BEARING, 4-BOLT-FLANGE, 2-15/16"	1
5	342056	BEARING, 3-1/2", 4-BOLT FLANGE	1
6	400208	HEX NUT 1/2"-13 #5 PLTD	10
7	400212	HEX NUT 3/4"-10 #5 PLTD	8
8	400916	HEX CROWN LOCKNUT, 1"-8 #5 PLTD	8
9	402008	SPRING LOCK WASHER 1/2" PLTD	10
10	402010	SPRING LOCK WASHER 5/8" PLTD	2
11	402012	SPRING LOCK WASHER 3/4" PLTD	8
12	405703	HHCS 1/2"-13 x 1-1/2" #5 PLTD	10
13	405780	HHCS 3/4"-10 x 2-1/4" #5 PLTD	4
14	405781	HHCS 3/4"-10 x 2-1/2" #5 PLTD	4
15	406454	HHCS 5/8"-11 x 2" #8 PLTD	2
16	406526	HHCS #8 Pltd 1"-8 x 3 1/2"	8
17	872590	SPROCKET 140C45 3-1/2" 24T SPLINED HUB	1
18	873316	1220 BTM AUGER, 3/4" FLIGHT	1
19	873386	1220 BTM AUGER DRIVE FLG, 3-1/2" SPLINE	1

**This Page intentionally left blank.**

# 1220-20 DRIVE ASSEMBLY, ROTOR

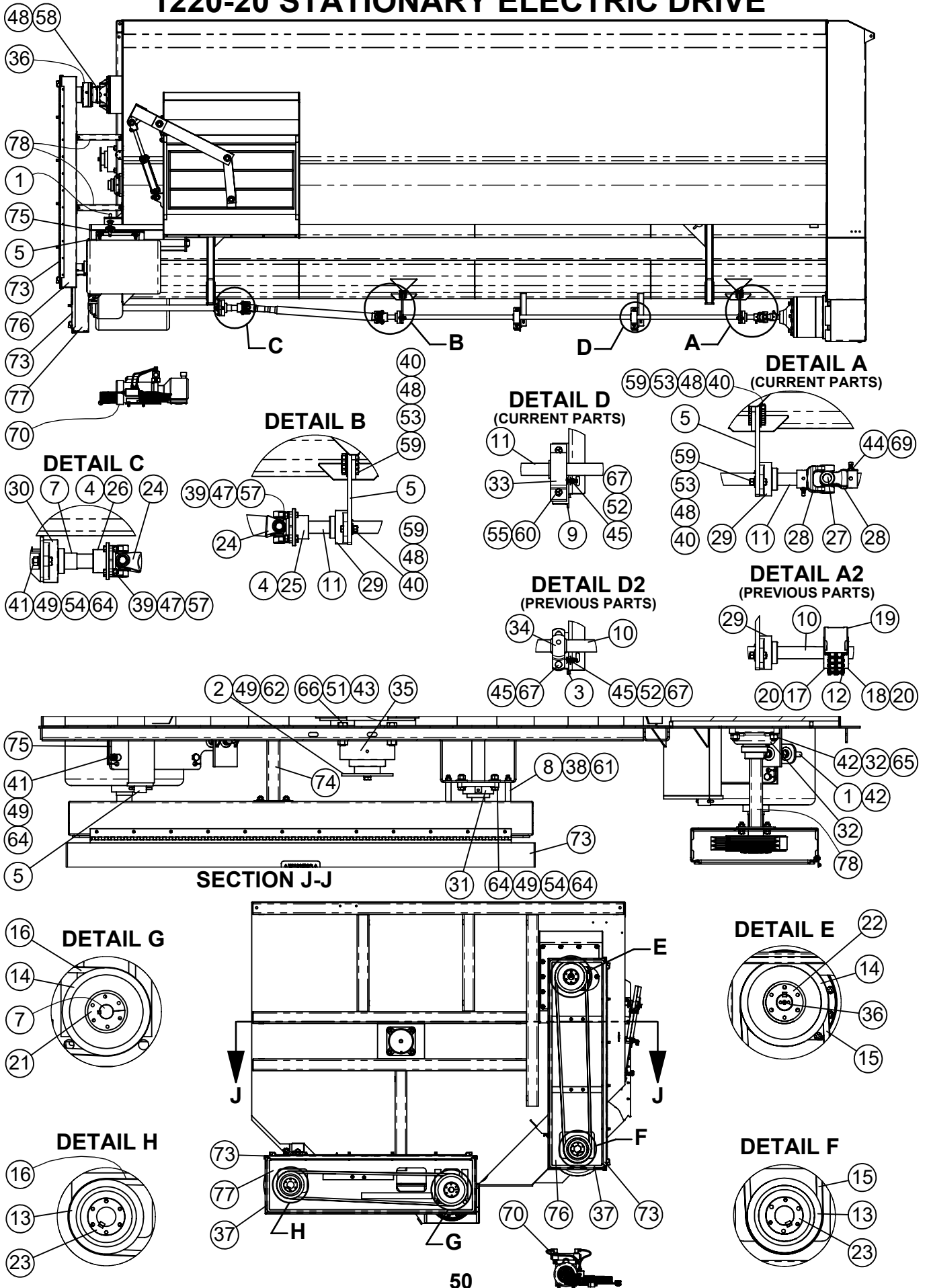




## 1220-20 DRIVE ASSEMBLY, ROTOR

ITEM #	PART #	DESCRIPTION	QTY.
1	163075	SPACER, 1220 INPUT GEARBOX	1
2	185258	ROTOR PLATE INDICATOR, 15/16" OD	1
3	185270	ROTOR BEARING PLATE	2
4	189580	ROTOR SPROCKET DISC 14-3/4"	1
5	190477	180A102 DRILLED RC SPROCKET	1
6	190827	STOP BLOCK	1
7	192289	4" SHAFT SPROCKET SPACER - 2-3/16"	1
8	331800	SPROCKET, 180C11, SPLINED	1
9	344170	GEARBOX, AUBURN M350/46, 1.5 SHAFT <b>(Stationary Only)</b>	1
10	344171	GEARBOX, AUBURN M350/46, SAEC <b>(Truck Only)</b>	1
11	344182	GEARBOX, AUGURN M350/30 SAEC <b>(Trailer Only)</b>	1
12	192653	SHAFT COVER RDF090	1
13	351921	O-RING 4.987"ID x .103 c/s (5"ID x 3/32")	2
14	360101	HYDRAULIC MOTOR, SUNDSTRAND 100cc <b>(Truck Only)</b>	1
15	400210	HEX NUT 5/8"-11 #5 PLTD	12
16	400214	HEX NUT 7/8"-9 #5 PLTD	7
17	401014	HEX CENTER LOCK NUT 7/8"-14 SAE	8
18	402010	SPRING LOCK WASHER 5/8" PLTD	13
19	402012	SPRING LOCK WASHER 3/4" PLTD	7
20	402014	SPRING LOCK WASHER 7/8" MED PLTD	7
21	402506	FLAT WASHER 3/8" SAE PLTD	5
22	405751	HHCS 5/8"-11 x 1-1/4" #5 PLTD	2
23	405752	HHCS, 5/8"-11 x 1-1/2" #5 PLTD	1
24	405756	HHCS, 5/8"-11 x 2-1/2" #5 PLTD	10
25	405758	HHCS 5/8"-11 x 3" #5 PLTD	2
26	405781	HHCS 3/4"-10 x 2-1/2" #5 PLTD	7
27	405806	HHCS 7/8"-9 x 3" #5 PLTD	7
28	406053	HHCS 3/8"-24 x 1" #5 PLTD	5
29	406792	HHCS 7/8"-14 x 3" #8 PLTD	8
30	407913	HHCS 1/2"-13 x 1-1/2" SERRATED #5 PLTD	4
31	407922	HHCS 5/8" x 1 1/2" WHIZ BOLT	20
32	782037	NYLATRON CAST BEARING ASSY	1
33	782090	1220-20 STAGGERED ROTOR ASSY	1
34	342064	BEARING, 4" FLANGE, 4-BOLT	1

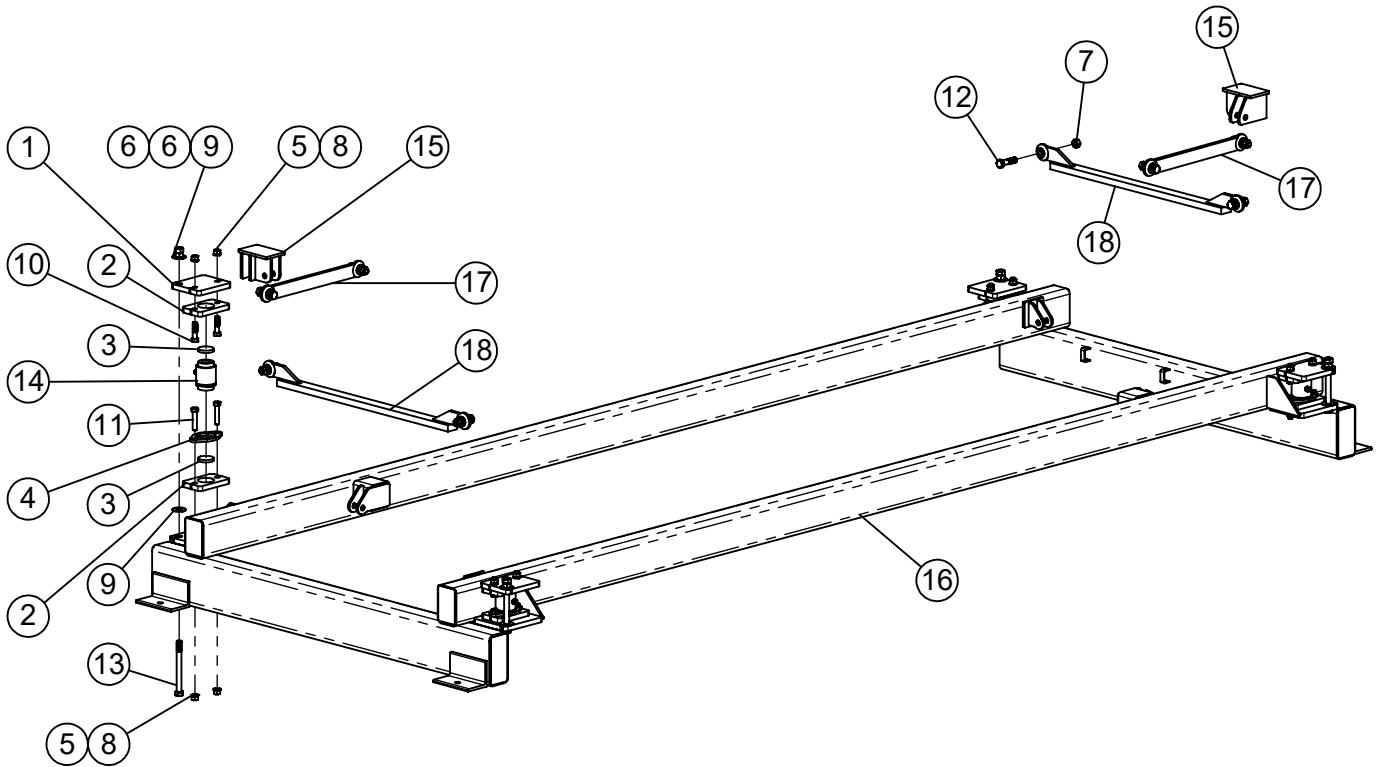
# 1220-20 STATIONARY ELECTRIC DRIVE



# 1220-20 STATIONARY ELECTRIC DRIVE

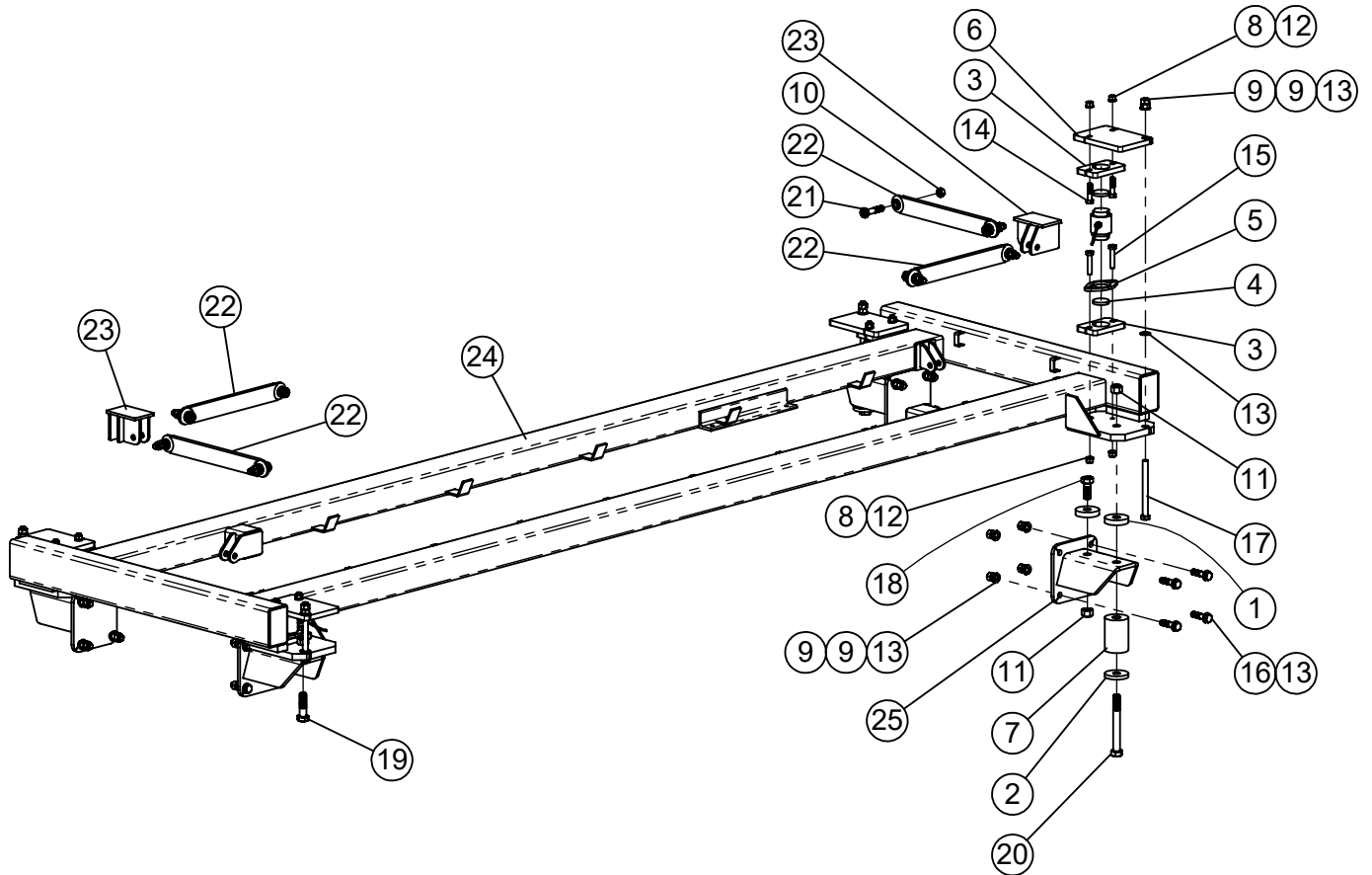
ITEM #	PART #	DESCRIPTION	QTY.
1	185115	ADJUSTING ALL THREAD, 3/4"-10 x 10"	2
2	185258	ROTOR PLATE INDICATOR, 15/16" OD	1
3	185299	CARRIER BEARING ANGLE (Used with chain coupler)	2
4	185480	KEY 3/8" SQ. X 2"	2
5	185645	720 MOTOR PIVOT PIPE	2
5	189461	900 INPUT BEARING HANGER 10" x 12 1/4"	2
7	191080	1220 STAT DRIVE SHAFT	1
8	191084	BELT SHIELD SPACER x 3"	2
9	191118	BEARING HANGER BRKT (Used with yokes & cross kit)	2
10	192087	920 STATIONARY DRIVE LINE - 130-3/4 (Used with chain coupler)	1
11	192687	1220 STAT DRIVE LINE - 127-3/4 (Used with yokes & cross kit)	1
12	320720	6020 CHAIN (PREVIOUS PART)	1
13	324009	SHEAVE, 5V-3 GROOVE 9.25" SF	2
14	324011	SHEAVE, 5V-3 GRV 10.9 SF	2
15	325130	V-BELT POWERBAND 3/5VX-1500	1
16	325135	V-BELT POWERBAND 3/5VX-1400	1
17	332610	SPROCKET 6020 TLF CHAIN COUPLING (Used with chain coupler)	1
18	332611	SPROCKET 6020 TLH CHAIN COUPLING (Used with chain coupler)	1
19	332614	COVER, 6020 CHAIN COUPLING (Used with chain coupler)	1
20	335024	BUSHING, 2012 TL 1-1/2" (Used with chain coupler)	1
21	336027	BUSHING, 1-3/4" SF QD	1
22	336032	QD BUSHING, SF x 2"	1
23	336042	QD BUSHING, SF x 2 3/8"	2
24	338001	DRIVELINE, 1350 (44" C-C)	1
25	338406	COMPANION FLANGE, 1350, 1-1/2" BORE	1
26	338432	COMPANION FLANGE, 1350 1-3/4" BORE	1
27	338441	CROSS KIT 2300 (Used with yokes & cross kit)	1
28	338456	YOKE W2300 1-1/2" RB (Used with yokes & cross kit)	2
29	340224	BEARING, 1-1/2" - 2 BOLT FLANGE VCJT	2
30	340232	BEARING, VCJT 2"-2 BOLT FLANGE	1
31	340432	BEARING RCJC 2" - 4 BOLT FLG	1
32	340447	BEARING, 4-BOLT-FLANGE, 2-15/16"	1
33	340931	BEARING, UCP208-24 1-1/2" PILLOW BLOCK (Used with yokes & cross kit)	2
34	341024	BEARING, 1-1/2" WOOD BLOCK (Used with chain coupler)	2
35	342064	BEARING, FLANGED ROLLER ZB2400	1
36	344083	ADAPTOR, OVERHUNG LOAD, AUBURN	1
37	351056	RUBBER BULB SEAL 5/32"	2
39	400207	HEX NUT, 7/16"-14, #5 PLTD	8
40	400208	HEX NUT 1/2"-13 #5 PLTD	12
41	400210	HEX NUT 5/8"-11 #5 PLTD	14
42	400212	HEX NUT 3/4"-10 #5 PLTD	12
43	400214	HEX NUT 7/8"-9 #5 PLTD	4
44	400606	HEX JAM NUT 3/8-16" (Used with yokes & cross kit)	4
45	401106	HEX NUT, 3/8"-16 NYLOC #5 PLTD	4
46	401108	HEX NUT, 1/2"-13 NYLOC #5 PLTD	4
47	402007	SPRING LOCK WASHER 7/16" PLTD	8
48	402008	SPRING LOCK WASHER 1/2" PLTD	16
49	402010	SPRING LOCK WASHER 5/8" PLTD	15
51	402014	SPRING LOCK WASHER 7/8" MED PLTD	4
52	402406	FLAT WASHER 3/8" PLTD	4
53	402408	WASHER, FLAT 1/2" MED PLTD	12
54	402410	FLAT WASHER 5/8" MED PLTD	6
55	402508	FLAT WASHER, SAE, 1/2" ID x 1" OD	4
57	405678	HHCS 7/16"-14 x 1 1/2" #5 PLTD	8
58	405703	HHCS 1/2"-13 x 1-1/2" #5 PLTD	4
59	405704	HHCS 1/2"-13 x 1-3/4" #5 PLTD	12
60	405705	HHCS 1/2"-13 x 2" #5 PLTD	4
61	405714	HHCS 1/2" x 4-1/2" #5 PLTD	2
62	405752	HHCS, 5/8"-11 x 1-1/2" #5 PLTD	1
64	405754	HHCS, 5/8"-11 x 2" #5 PLTD	6
64	405756	HHCS, 5/8"-11 x 2-1/2" #5 PLTD	8
65	405780	HHCS 3/4"-10 x 2-1/4" #5 PLTD	4
66	405806	HHCS 7/8"-9 x 3" #5 PLTD	4
67	407041	CHCS 3/8"-16 x 1-1/4" #5 PLTD	6
69	409543	SQ HD SET SCREW CUP, 3/8" x 1" (Used with yokes & cross kit)	4
70	750129	110VAC HYD POWER UNIT	1
73	781462	920 BELT SHIELD DOOR ASSEMBLY	2
74	872003W	BELT SHIELD SUPPORT	1
75	872724	60-75 HP ELECTRIC MOTOR BASE	2
76	874147	920 AUGER BELT SHIELD	1
77	874206	920 ELECTRIC BELT SHEILD (WEISLER)	1
78	874216	BELT SHIELD SUPPORT WA	2

# 1220-20 STATIONARY SCALE FRAME & LOAD CELL COMPONENTS



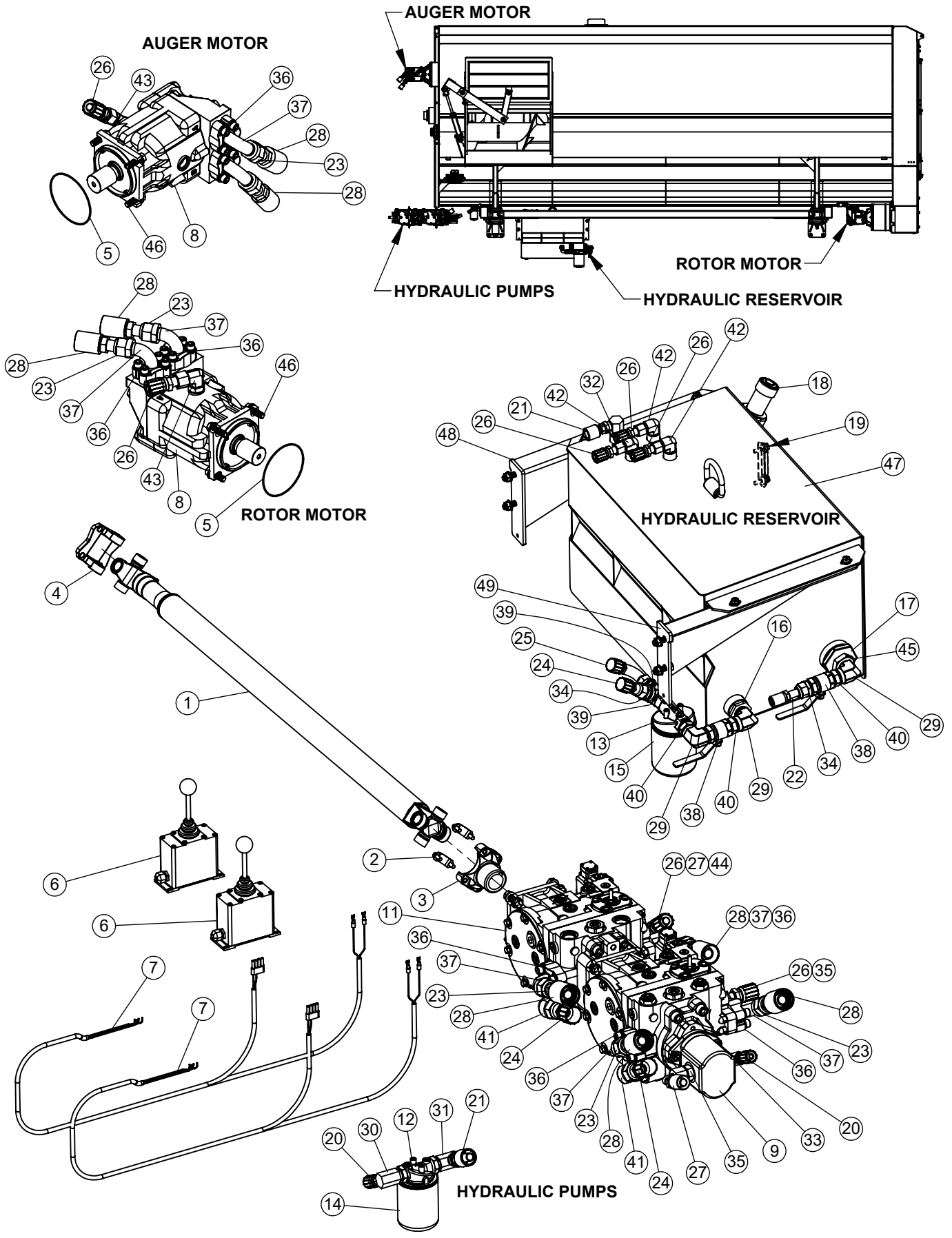
ITEM #	PART #	DESCRIPTION	QTY.
1	182881	SCALE MOUNT MIXER PLATE	4
2	182915	LOAD CELL CAGE PLATE	8
3	185997	SCALE PAD	8
4	190075	DIGI-STAR LOAD CELL SUPPORT PT	4
5	400210	HEX NUT 5/8"-11 #5 PLTD	16
6	400212	HEX NUT 3/4"-10 #5 PLTD	8
7	400912	HEX CROWN LOCK NUT 3/4"-10 #5 PLTD	8
8	402010	SPRING LOCK WASHER 5/8" PLTD	16
9	402412	FLAT WASHER 3/4" PLTD	8
10	405756	HHCS, 5/8"-11 x 2-1/2" #5 PLTD	8
11	405758	HHCS 5/8"-11 x 3" #5 PLTD	8
12	405783	HHCS 3/4-10 x 3" #5 PLTD	8
13	405795	HHCS #5 PLTD, 3/4"-10 x 8"	4
14	450744	LOAD CELL 1/10 OF 1% 50K CT-TC	4
15	870519	MIXER SCALE CHECK W.A.	2
16	873321	1220 STA. SCALE FRAME WA	1
17	874066	SCALE CHECK ROD WA	2
18	874140	LG OFFSET CHECK ROD W/A - 41-1/2	2

# 1220-20 TRUCK SCALE FRAME & LOAD CELL COMPONENTS



ITEM #	PART #	DESCRIPTION	QTY.
1	130796	802 UHMW MOUNT PAD (3/4" LG)	8
2	130797	802 WASHER, 1/2 x 1-1/16 x 3-1/2	2
3	182915	LOAD CELL CAGE PLATE	8
4	185997	SCALE PAD	8
5	190075	DIGI-STAR LOAD CELL SUPPORT PT	4
6	191095	SCALE MOUNT MIXER PLATE	4
7	351988	PIRANHA URETHANE STRIPPER SPRING	2
8	400210	HEX NUT 5/8"-11 #5 PLTD	16
9	400212	HEX NUT 3/4"-10 #5 PLTD	40
10	400912	HEX CROWN LOCK NUT 3/4"-10 #5 PLTD	8
11	400916	HEX CROWN LOCKNUT, 1"-8 #5 PLTD	8
12	402010	SPRING LOCK WASHER 5/8" PLTD	16
13	402512	FLAT WASHER 3/4" SAE	40
14	405756	HHCS, 5/8"-11 x 2-1/2" #5 PLTD	8
15	405758	HHCS 5/8"-11 x 3" #5 PLTD	8
16	405783	HHCS 3/4"-10 x 3" #5 PLTD	16
17	405798	HHCS #5 PLTD 3/4"-10 x 8-1/2	4
18	405829	HHCS, 1"- 8 x 2-1/2" GR#5 PLTD	4
19	405832	HHCS 1"- 8 x 3 1/2" #5 PLTD	2
20	405841.5	HHCS Pltd 1" x 8-1/2"	2
21	406484	HHCS 3/4"-10 x 3-1/2" GR 8 PLTD	8
22	830581	SCALE HVY CHECK ROD WA	4
23	870519	MIXER SCALE CHECK W.A.	2
24	873318	1220 SCALE FRAME WA	1
25	873319	1220 TRUCK MOUNTING BRACKET WA	4

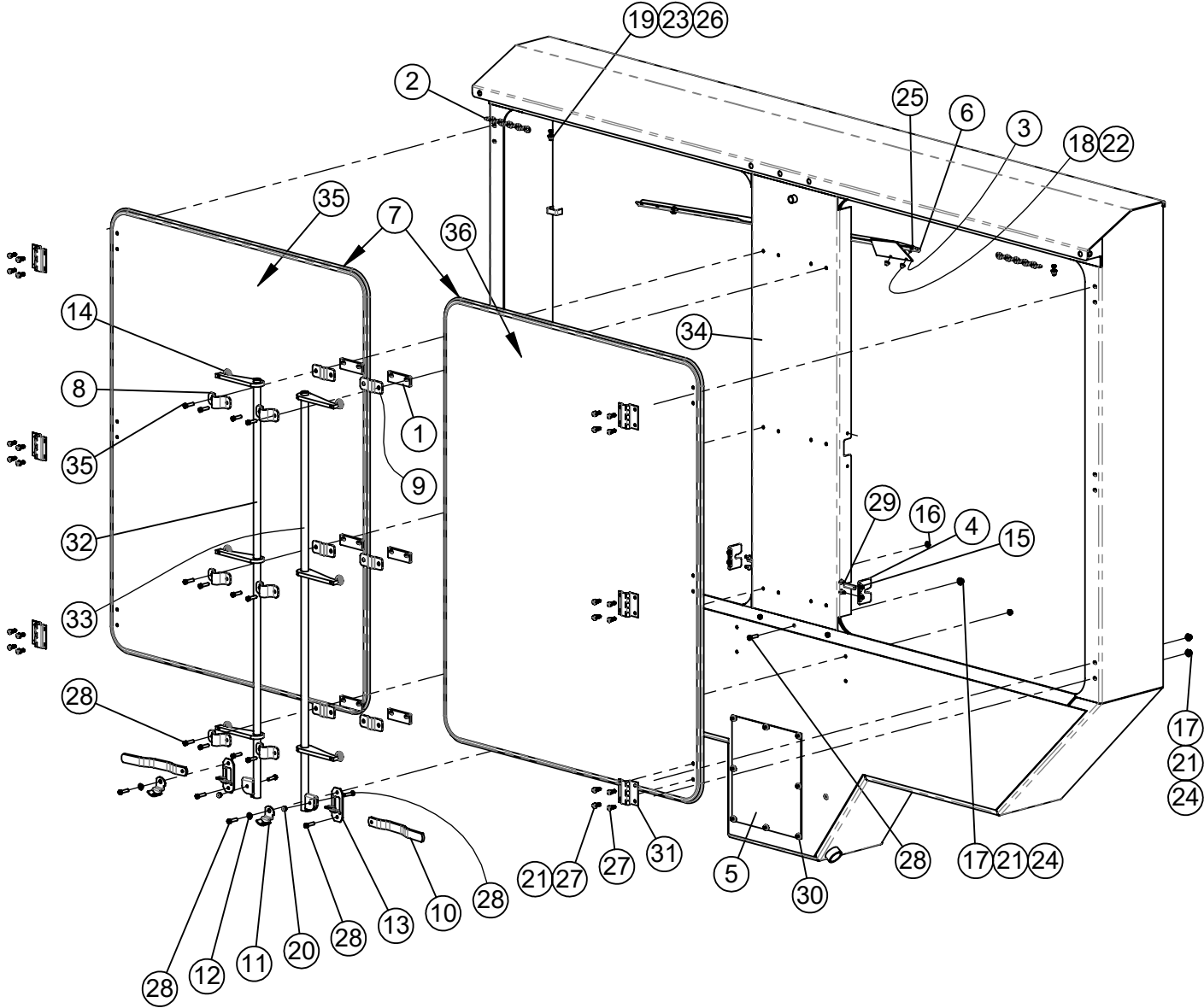
# 1220-20 REAR PTO TANDEM HYDRAULICS6



## 1220-20 REAR PTO TANDEM HYDRAULICS

ITEM #	PART #	DESCRIPTION	QTY.
1	338054	SPICER DRIVE SHAFT ASSY 7703-5204	1
2	338413	U STRAP & BOLT KIT 3-70-28X (1350)	1
3	338415	SPICER YOKE 1350 1-1/2" TAPER	1
4	338429	FLANGE YOKE, SPICER 1350	1
5	351921	O-RING 4.987"ID x .103 c/s (5"ID x 3/32")	1
6	357710	MACHINE CONTROL HANDLE	2
7	358444	TRUCK EDC HARNESS	2
8	360101	HYDRAULIC MOTOR, DANFOSS 100cc	2
9	362009	GEAR PUMP, 1.08 CU IN	1
10	362095	HYDRO PUMP, 100cc LH 14 SPL EDC w/PAD	1
11	362106	Pump 100 EDC RH w/SAE C Pad 14T	1
12	362403	FILTER HEAD 3/4", ZAF-07-25-0	1
13	362404	FILTER HEAD, 1-1/4" FP	1
14	362440	FILTER ELEMENT - AE-10	1
15	362442	FILTER ELEMENT 1-1/4"	1
16	362507	SUCTION SCREEN 2" x 1 1/4" (100 MESH)	1
17	362508	STRAINER, SUCTION 3" x 2" (100 MESH)	1
18	362552	SIDE FILLER HI-NECK ASSY	1
19	362555	SIGHT GAUGE 5"	1
20	367088	HOSE COUPLING 1/2"MP x 1/2" MEGACRIMP	2
21	367104	HOSE STEM, 3/4" x 3/4"MP 12G-12MP MEGA	2
22	367114	HOSE COUPLING 3/4 x 1-7/16 ORFS	1
23	367135	HOSE STEM 1" x 16GS-16FFORX	8
24	367137	HOSE COUPLING 1" x 16G-16FFORX	3
25	367139	HOSE COUPLING, 1" x 16G-16FFORX90S	1
26	367141	HOSE COUPLING, 3/4"x 1-3/16 FFFORX	7
27	367142	HOSE COUPLING 3/4" x 1-3/16"FFORX90S	2
28	367415	FERRULE, 16GS1F-4	8
29	368036	ELBOW, STREET 90° 1-1/4"MP x 1-1/4"FP	3
30	368041	SWIVEL, 90° 3/4" MP x 1/2" FP	1
31	368042	SWIVEL 90v3/4MP x 3/4FP	1
32	368045	SWIVEL, 90° 1"MP x 3/4"FP	1
33	368047	HYD SWIVEL 7/8"MOR x 1/2"FP 90°	1
34	368143	STRAIGHT ADAPTER, 1-1/4" MP x 1-7/16" ORFS	3
35	368199	STRT ADPT, 1-3/16" ORFS x 1-1/16" MORB	2
36	368451	FLANGE SET 16 FHH SPLIT C62 (1")	8
37	368467	FLANGE ADAP 16ORFS x 1 CODE 62	8
38	368527	BALL VALVE, 1-1/4" FP	2
39	368631	STREET TEE, 1-1/4"	1
40	368648	HEX NIPPLE, 1-1/4" MP x 1-1/4" MP	3
41	368675	ELBOW, 90° 1-5/8"MOR x 1-7/16"FFOR	2
42	368691	ELBOW 90° 1"MP x 1-3/16 FFOR	3
43	368710	ELBOW 90 1 3/16" ORFS x 1 1/16" MOR	2
44	368718	BRANCH TEE, 1-3/16 ORFS (2 PLCS) x 1-1/16 MOR	1
45	368741	REDUCER HEX 2"MP X 1-1/4"FP TOMPKINS_5406-32-20	1
46	407913	HHCS 1/2"-13 x 1-1/2" SERRATED #5 PLTD	8
47	830317P	802 TRUCK HYDRAULIC RESERVOIR WA	1
48	830723	RDB RESERVOIR BRACKET W.A. (RH)	1
49	830724	RDB RESERVOIR BRACKET W.A. (LH)	1

# 1220-20 OIL BATH DOOR GROUP ASSEMBLY

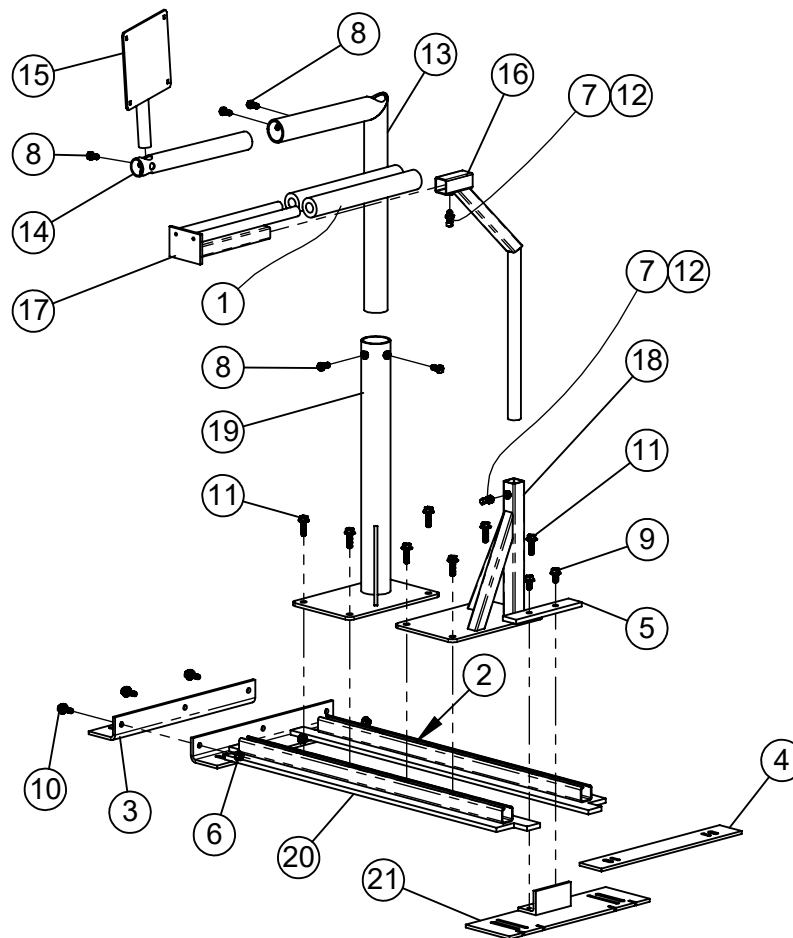




## 1220-20 OIL BATH DOOR GROUP ASSEMBLY

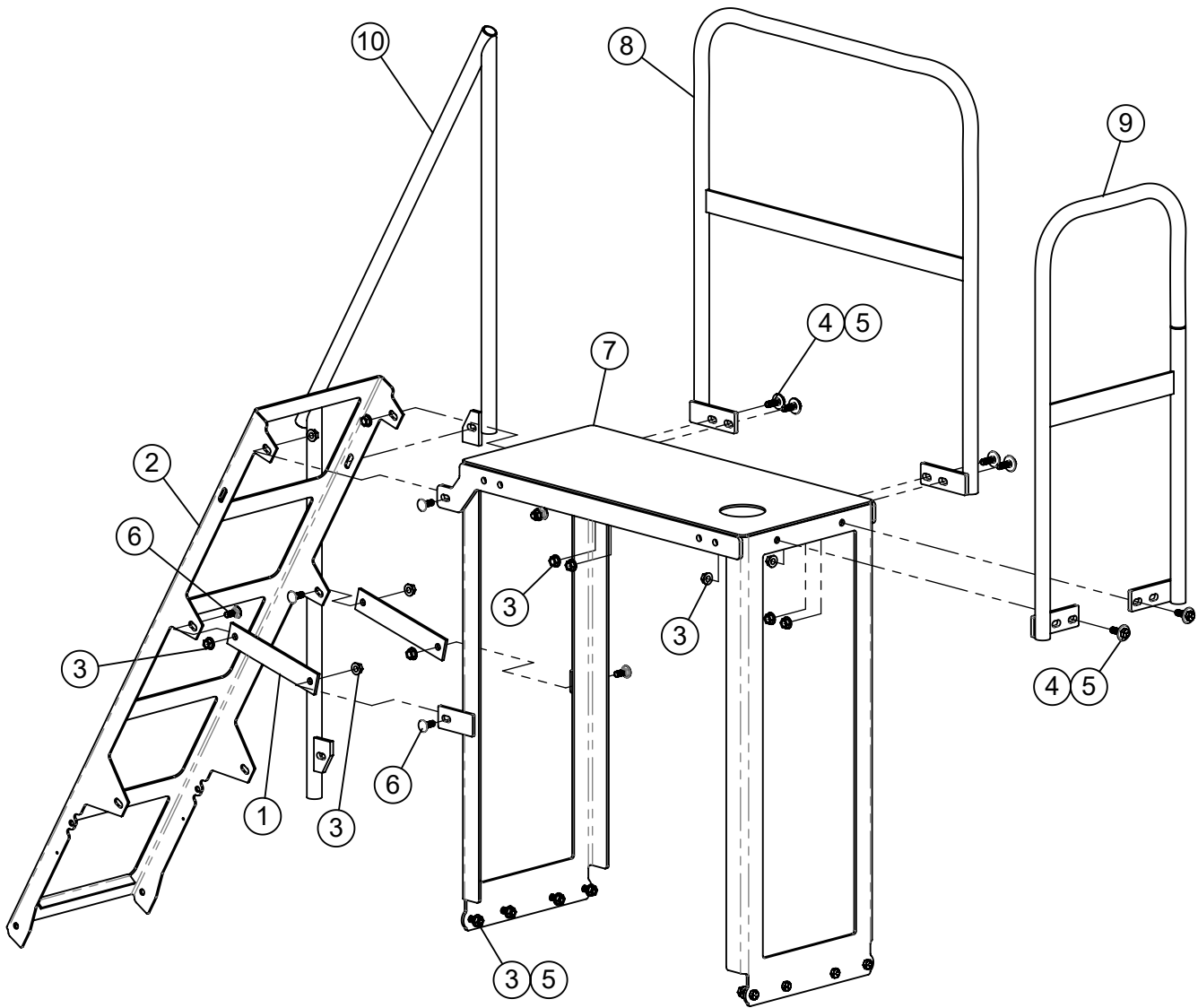
ITEM #	PART #	DESCRIPTION	QTY.
1	189503	CAM ROD SPACER	6
2	189529	CHAIN-14 LINKS	2
3	190472	OIL WIPER	1
4	190713	OB DOOR SUPPORT PLATE - WIDE	2
5	191092	INSPECTION HOLE COVER 14-1/4 x 16	1
6	191104	OILER ANGLE	1
7	351056	RUBBER BULB SEAL 5/32"	2
8	370316	CAM LOCK TOP PLATE	6
9	370317	CAM LOCK BOTTOM PLATE	6
10	370319	CAM LOCK HANDLE	2
11	370320	HANDLES CAM LOCK	2
12	370321	CAM LOCK BUSHING	2
13	370322	HANDLE STOP	2
14	370323	LEVELING PAD	6
15	400106	HEX NUT, 5/16"-18 SER. FLANGE #5 PLTD	6
16	400107	HEX NUT, 3/8"-16 SERRATED FLANGE #5	16
17	400206	HEX NUT 3/8"-16 #5 PLTD	18
18	401104	HEX NUT, NYLOC 1/4"-20 #5 PLTD	2
19	401105	HEX NUT, 5/16"-18 NYLOC #5 PLTD	4
20	401106	HEX NUT, 3/8"-16 NYLOC #5 PLTD	2
21	402006	WASHER SPRING LOCK 3/8" MED PLTD	30
22	402404	FLAT WASHER 1/4" PLTD	2
23	402405	FLAT WASHER MED PLTD 5/16"	4
24	402406	FLAT WASHER 3/8" PLTD	18
25	405602	HHCS 1/4" -20 x 3/4" USS #5 PLTD.	2
26	405629	HHCS 5/16"-18 x 1-1/4" #5 PLTD	4
27	405653	HHCS 3/8"-16 x 1" #5 PLTD	24
28	405655	HHCS 3/8"-16 x 1 1/2" #5 PLTD	24
29	407020	CHCS 5/16"-18 x 3/4" #5 PLTD	6
30	407900	HHCS 3/8"-16 x 3/4" SERRATED #5 PLTD	7
31	410219	HINGE, OFFSET, 3 1/2" SQ	6
32	872595	920 LEFT CAM ROD WA	1
33	872596	920 RIGHT CAM ROD WA	1
34	873324	1220 OIL BATH CENTER CHANNEL	1
35	873325	1220 OIL BATH DOOR WA LH SIDE	1
36	873326	1220 OIL BATH DOOR WA RH SIDE	1

# TRUCK CAB SCALE INDICATOR FRAME PARTS



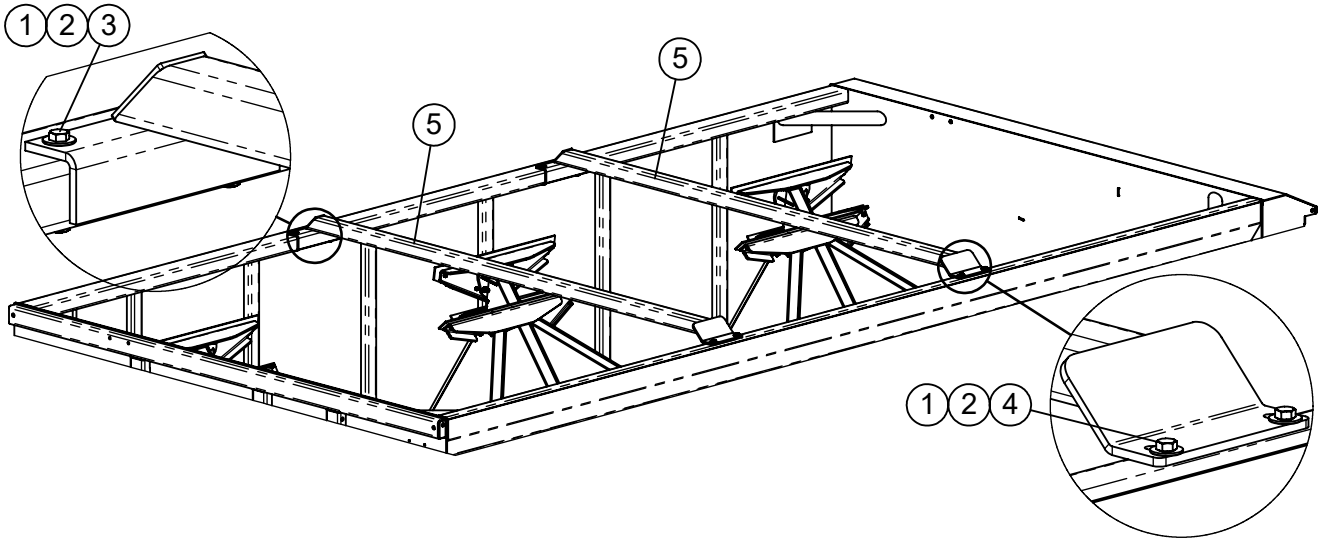
ITEM #	PART #	DESCRIPTION	QTY.
1	185930	ARM REST PAD 12"	2
2	192578	ARM REST SLIDE BAR	4
3	192585	BRACKET, PASSENGER CAB SEAT	1
4	192587	SPACER, TRUCK CAB DRIVER'S SEAT	1
5	192593	PLATE, TRUCK CAB MOUNT SETTING	1
6	400107	HEX NUT, 3/8"-16 SERRATED FLANGE #5	3
7	400606	HEX JAM NUT 3/8-16"	2
8	405652	HHCS 3/8"-16 x 3/4" #5 PLTD	5
9	407900	HHCS 3/8"-16 x 3/4" SERRATED #5 PLTD	2
10	407901	HHCS 3/8"-16 X 1" SERRATED #5 PLTD	3
11	407904	HHCS 3/8"-16 x 1-1/4" SERRATED #5 PLTD	8
12	409543	SQ HD SET SCREW CUP, 3/8" x 1"	2
13	871095	TRUCK SCALE INDICATOR MOUNT W.A.	1
14	871103	INDICATOR EXTENSION TUBE W.A.	1
15	871111	TRUCK SCALE INDICATOR SWIVEL W.A.	1
16	872263	ARM REST GOOSE NECK W.A.	1
17	872264	ARM REST W.A.	1
18	873389	SHORT ARM REST STAND W.A.	1
19	873390	SHORT TRUCK SCALE IND. BASE W.A.	1
20	873391	BASE, TRUCK CAB MOUNT WA	1
21	873394	BRACKET, DRIVER'S SEAT WA	1

# 1220-20 TRUCK PLATFORM ASSEMBLY

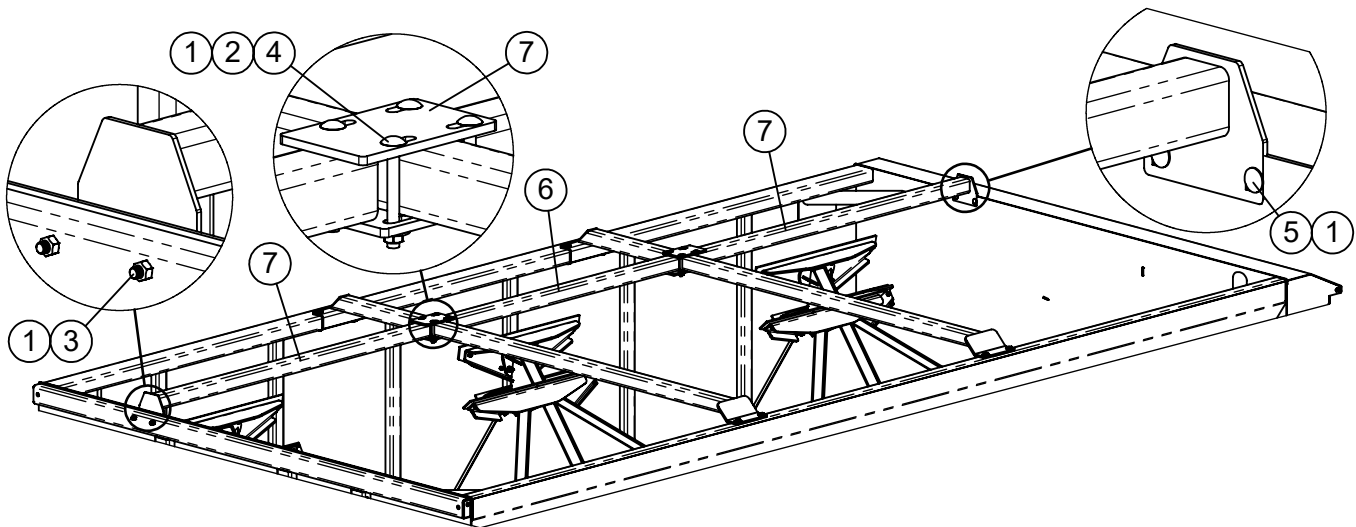


ITEM #	PART #	DESCRIPTION	QTY.
1	171452	LADDER BAR	2
2	190983	LADDER, FORMED 6 RUNG	1
3	400114	HEX NUT, 1/2-13 SERRATED FLANGE #5	22
4	402408	WASHER, FLAT 1/2" MED PLTD	6
5	405703	HHCS 1/2"-13 x 1-1/2" #5 PLTD	14
6	407101	CHCS 1/2"-13 x 1-1/4" #5 PLTD	8
7	872607	TRUCK PLATFORM W.A.	1
8	872608	HANDRAIL W.A.	1
9	872745	END HAND RAIL W.A.	1
10	873395	920 HANDRAIL WA	1

## 1220-20 CROSS-OVER BAR KIT #980153 & HAY SHEAR BAR KIT #980154

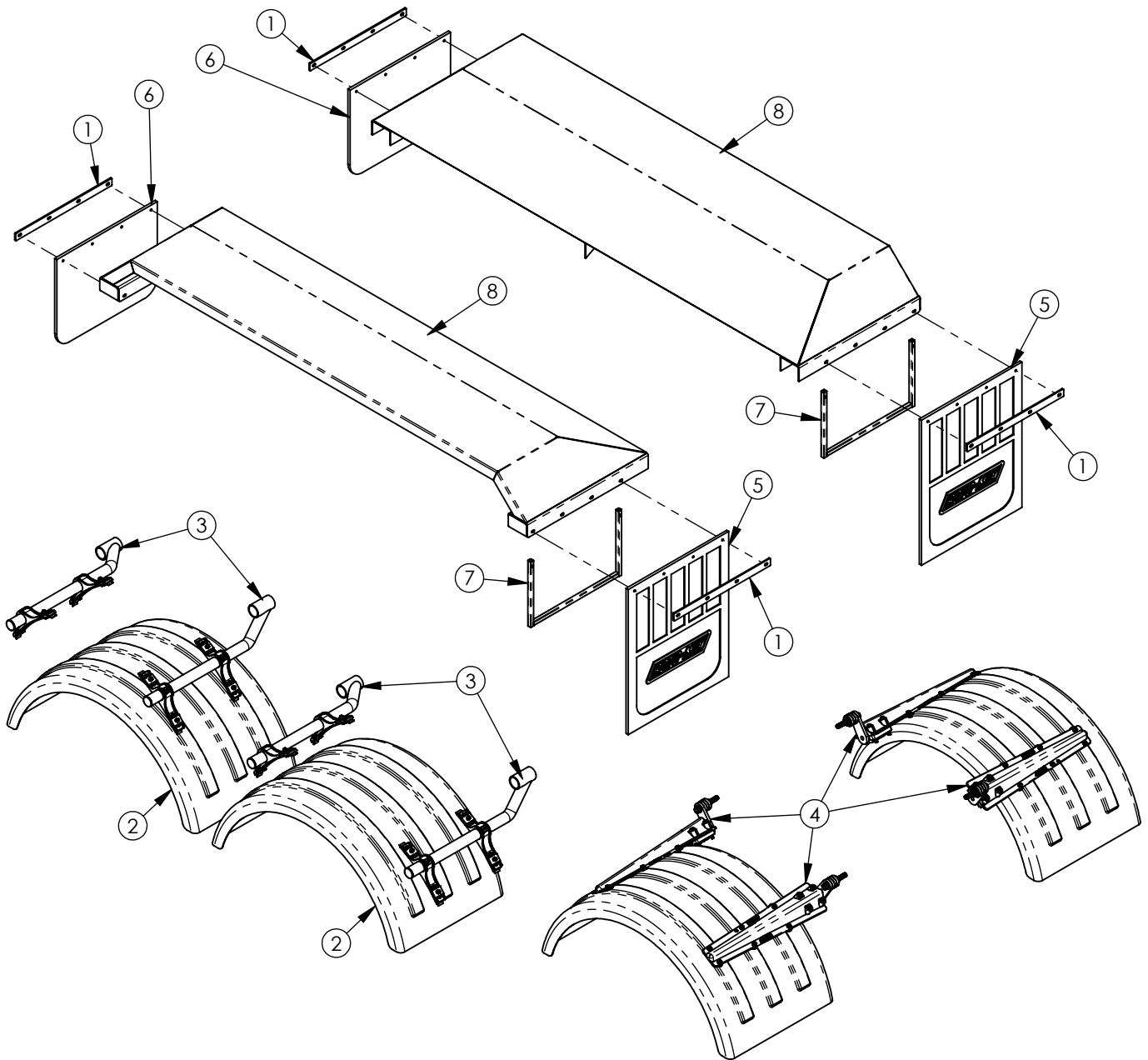


ITEM #	PART #	DESCRIPTION	QTY.
1	400114	HEX NUT, 1/2-13 SERRATED FLANGE #5	8
2	402408	WASHER, FLAT 1/2" MED PLTD	8
3	405713	HHCS 1/2"-13 x 4" #5 PLTD	4
4	405717	HHCS 1/2"-13 x 6" #5 PLTD	4
5	873313	1220 CROSS-OVER BAR	2



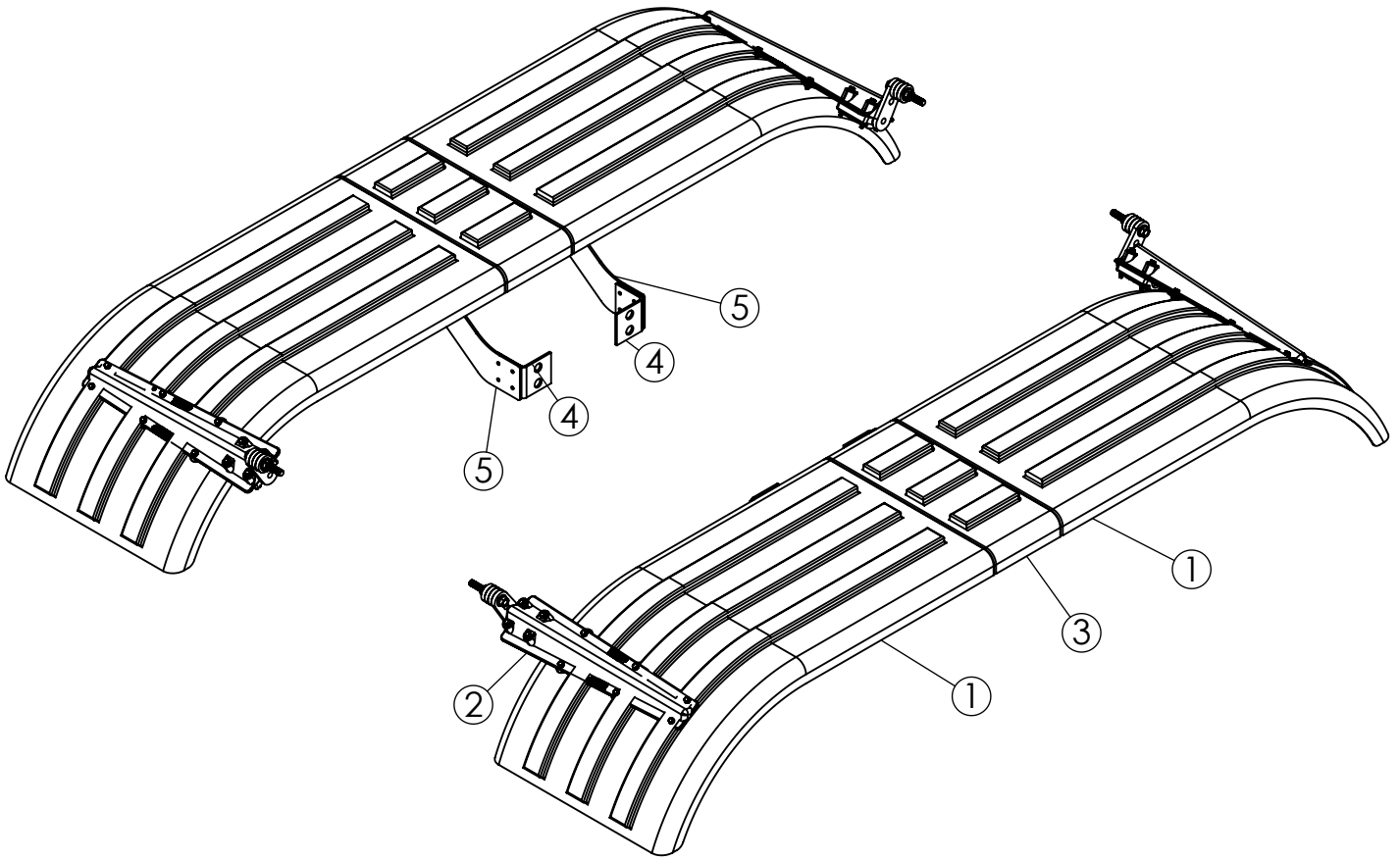
ITEM #	PART #	DESCRIPTION	QTY.
1	400908	HEX CROWN LOCNUT 1/2"-13 #9	12
2	402408	WASHER, FLAT 1/2" MED PLTD	8
3	407109	CHCS 1/2"-13 X 3-1/2" #5 PLTD	2
4	407113	CHCS 1/2"-13 x 4-1/2" #5 PLTD	8
5	407118	CHCS 1/2"-13 x 1-1/2" #8 PLTD	2
6	873163	920 HAY SHEAR TUBE CTR 69-1/2"	1
7	873327	1220 HAY SHEAR TUBE END	2

# 1220-20 TRUCK FENDERS & MUD FLAPS



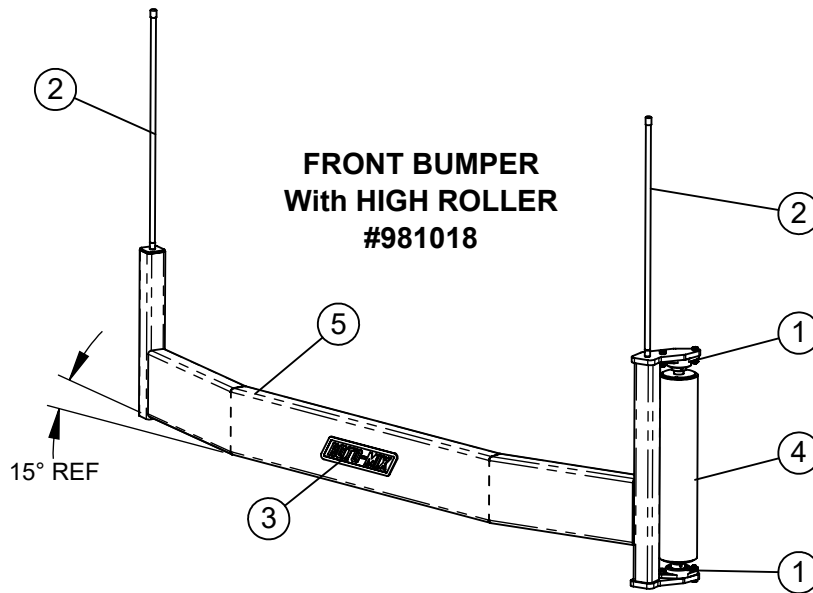
REF #	PART #	DESCRIPTION	QTY
1	183087	MUD FLAP STRAP	4
2	354391	POLY FENDER	3
3	354392	POLY FENDER TUBING MOUNT KIT (2 per kit)	2
4	354393	POLY FENDER TAPER BRACKET KIT (4 per kit)	1
5	370200	ROTO-MIX MUD FLAP 24" x 30"	2
6	370202	ROTO-MIX MUD FLAP 24" x 18-1/2"	2
7	872120	MUD FLAP BRACKET WA	2
8	872130	TANDEM FENDER WA	2

# 1220-20 POLY FENDERS

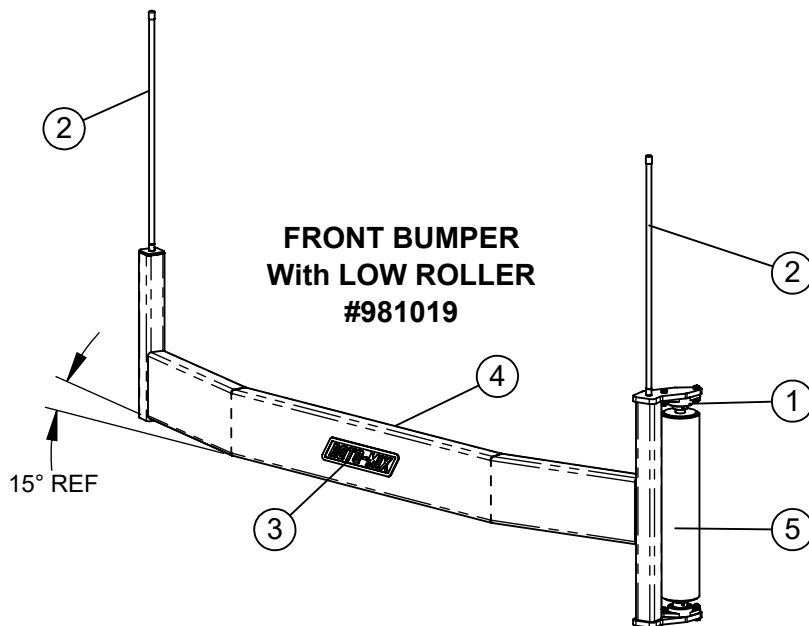


ITEM#	PART#	DESCRIPTION	QTY.
1	354394	POLY FENDER TANDEM KIT #MIN4000B (4 Fenders per Kit)	1
2	354393	POLY FENDER TAPER BRACKET KIT (4 Brkt's per Kit)	1
3	354395	POLY FENDER EXTENSION, 10" #PM10EXTB	2
4	192730	BRACKET, POLY FENDER SUPPORT	4
5	192731	SUPPORT, POLY FENDER TANDEM	4
6	192732	SLIDE, POLY FENDER TANDEM SUPPORT	4

# TRUCK FRONT BUMPERS

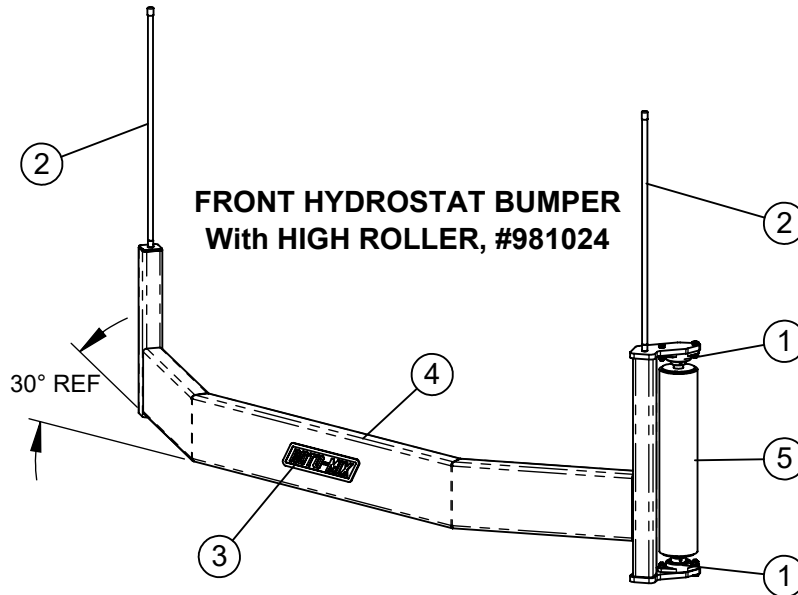


ITEM #	PART #	DESCRIPTION	QTY.
1	340222	BEARING, 1 3/8" VCJT	2
2	370334	MARKER, ORANGE STICK x 2 FT	2
3	440890	DECAL - ROTO-MIX - 15-11/16" x 3 11/16"	1
4	872434	ROLLER, FT BUMPER, 5" DIA.	1
5	872439	BUMPER FRT W/HIGH ROLLER WA.	1

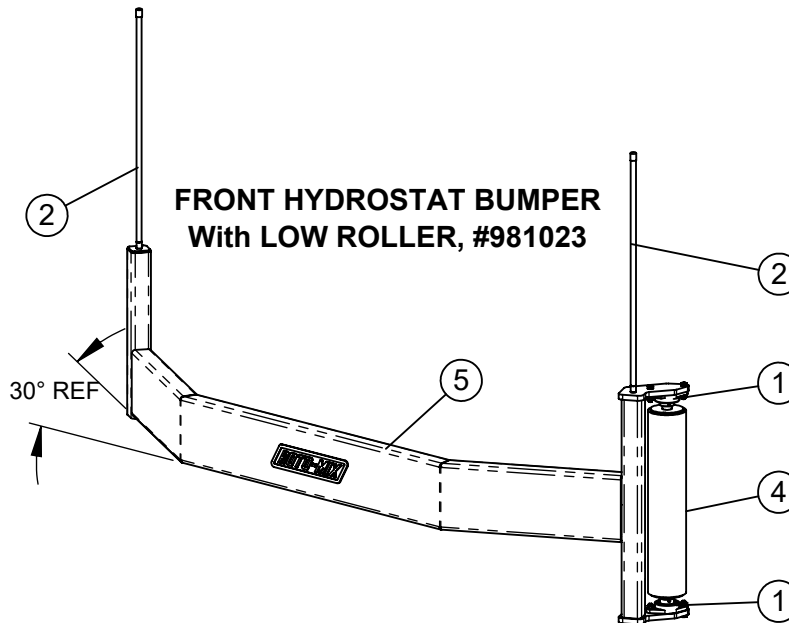


ITEM #	PART #	DESCRIPTION	QTY.
1	340222	BEARING, 1 3/8" VCJT	2
2	370334	MARKER, ORANGE STICK x 2 FT	2
3	440890	DECAL - ROTO-MIX - 15-11/16" x 3 11/16"	1
4	872430	BUMPER W/ ROLLER RR PTO WA	1
5	872434	ROLLER, FT BUMPER, 5" DIA.	1

# TRUCK FRONT BUMPERS



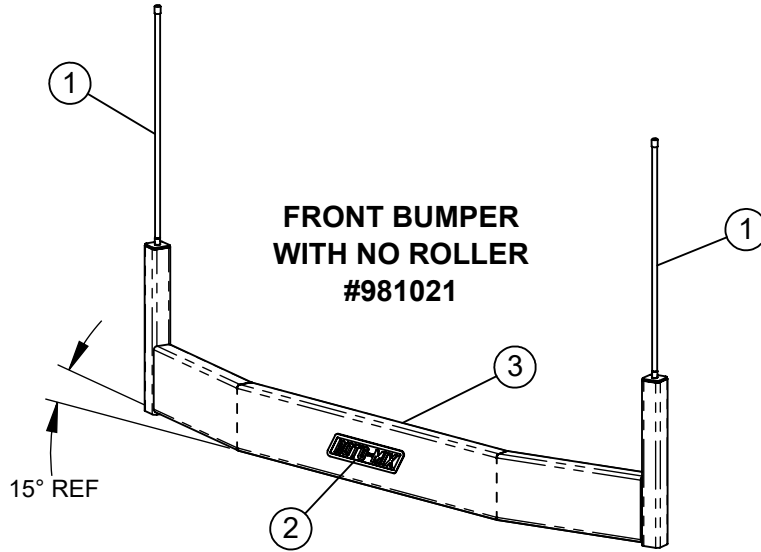
ITEM #	PART #	DESCRIPTION	QTY.
1	340222	BEARING, 1 3/8" VCJT	2
2	370334	MARKER, ORANGE STICK x 2 FT	2
3	440890	DECAL - ROTO-MIX - 15-11/16" x 3 11/16"	1
4	872431	BMPR FRT HYDRO W/HIGH RLLR WA	1
5	872434	ROLLER, FT BUMPER, 5" DIA.	1



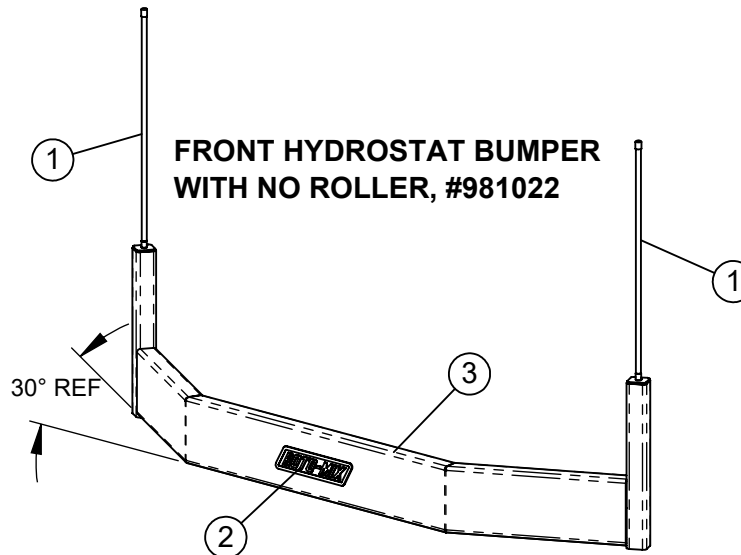
ITEM #	PART #	DESCRIPTION	QTY.
1	340222	BEARING, 1 3/8" VCJT	2
2	370334	MARKER, ORANGE STICK x 2 FT	2
3	440890	DECAL - ROTO-MIX - 15-11/16" x 3 11/16"	1
4	872434	ROLLER, FT BUMPER, 5" DIA.	1
5	872440	BMPR FRT HYDRO W/ ROLLER WA	1



# TRUCK FRONT BUMPERS

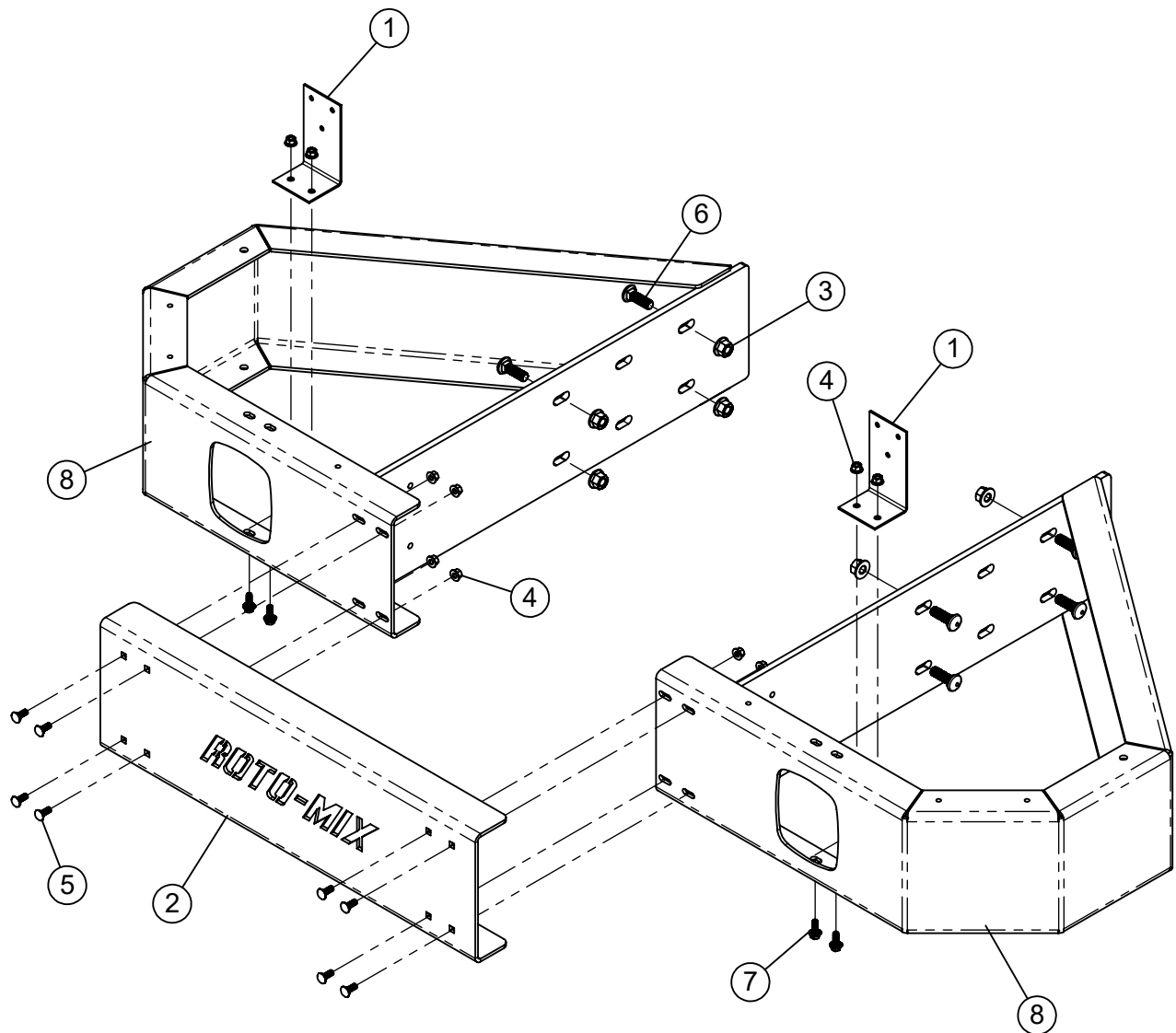


ITEM #	PART #	DESCRIPTION	QTY.
1	370334	MARKER, ORANGE STICK x 2 FT	2
2	440890	DECAL - ROTO-MIX - 15-11/16" x 3 11/16"	1
3	872432	BUMPER, TRK FRT, NO ROLLER	1



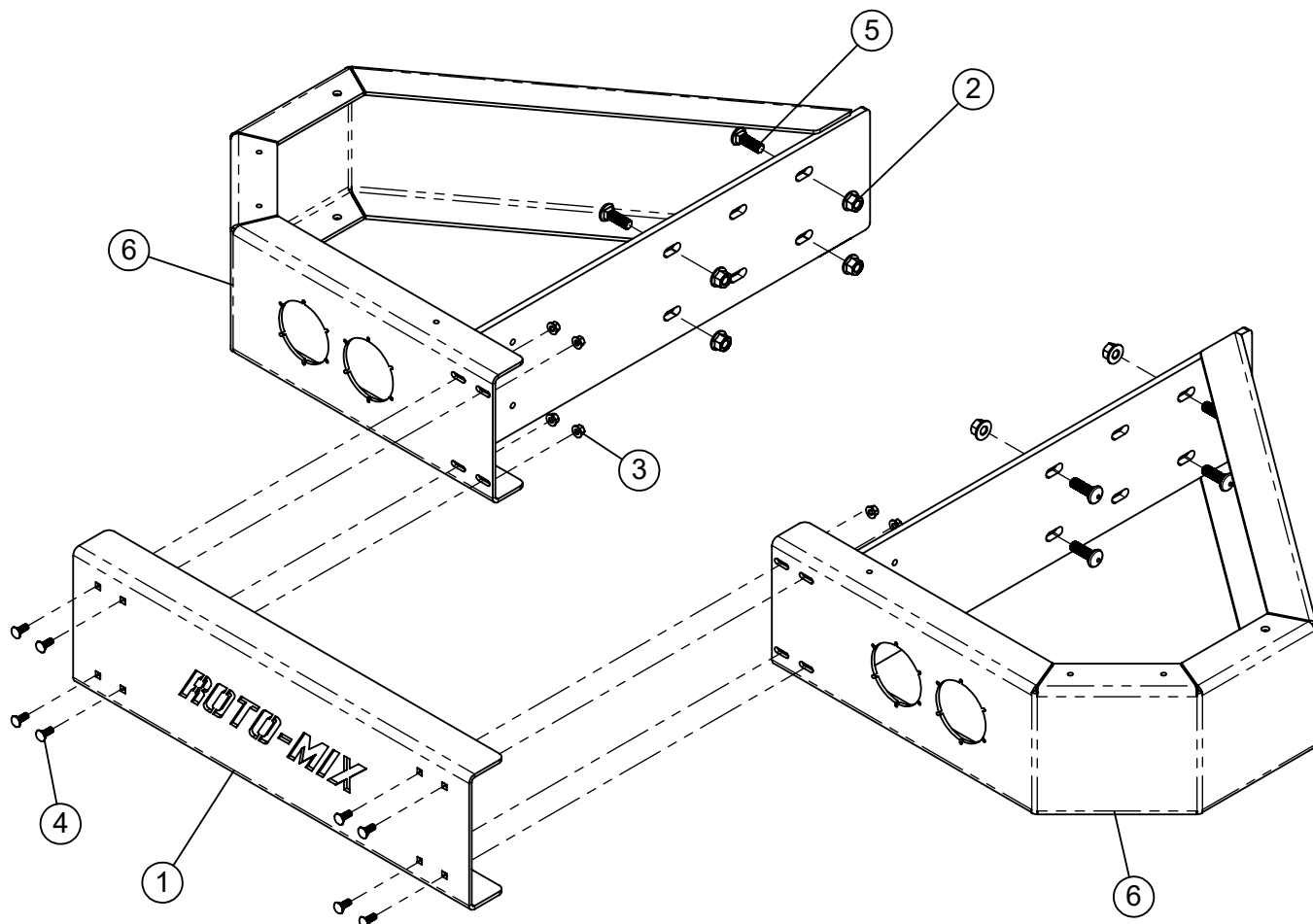
ITEM #	PART #	DESCRIPTION	QTY.
1	370334	MARKER, ORANGE STICK x 2 FT	2
2	440890	DECAL - ROTO-MIX - 15-11/16" x 3 11/16"	1
3	872433	BUMPER, TRK FRT NO ROLLER	1

# REAR BUMPER, 10", RECT. LIGHT HOLES #780948



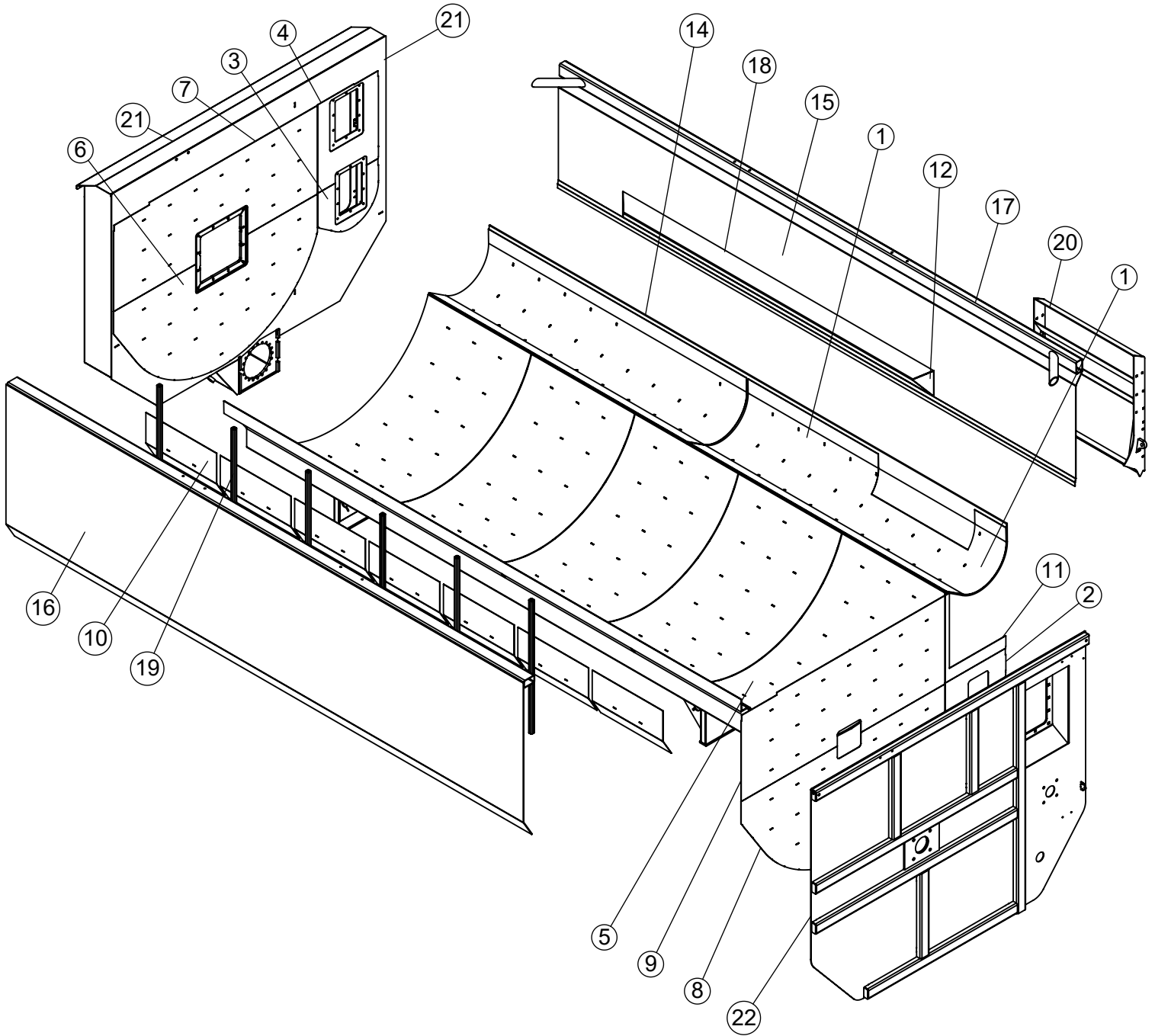
ITEM #	PART #	DESCRIPTION	QTY.
1	185600	TAIL LIGHT BRKT	2
2	192219	PLATE, FLR 10" RR BMPR ROTO-MIX	1
3	400005	FLANGE NUT, TOP LOCK. 5/8-11 GR"G"	8
4	400007	Flange Nut, Top Lock. 3/8-16 GR "G"	12
5	407040	CHCS 3/8"-16 x 1" #5 PLTD	8
6	407121	CHCS 5/8"-11 x 2" #5 PLTD	8
7	407901	HHCS 3/8"-16 X 1" SERRATED #5 PLTD	4
8	873286	BMPR, 10" REAR HALF, RECT. W.A.	2

# REAR BUMPER, 10", ROUND LIGHT HOLES #780949



ITEM #	PART #	DESCRIPTION	QTY.
1	192219	PLATE, FLR 10" RR BMPR ROTO-MIX	1
2	400005	FLANGE NUT, TOP LOCK. 5/8-11 GR"G"	8
3	400007	Flange Nut, Top Lock. 3/8-16 GR "G"	8
4	407040	CHCS 3/8"-16 x 1" #5 PLTD	8
5	407121	CHCS 5/8"-11 x 2" #5 PLTD	8
6	873287	BMPR, 10" RR HALF RND HOLES W.A.	2

# 1220-20 SHELL REPAIR PARTS



980770 - 1220 10-GA SS Liner Kit Tub and Auger Bottoms with Full End Liners  
980771 - 1220 10-GA SS Liner Kit, 20" High Rotor Side Sheet

## 1220-20 SHELL REPAIR PARTS

ITEM#	PART#	DESCRIPTION	QTY.
1	186058-C	920 AUG LINER 43"x119-5/8" 10GA	2
2	186215-C	LINER, 920 AUGER FRNT END 10GA SS	1
3	186218-C	LINER, 920 AUGER RR END 10GA	1
4	186219-C	LINER,920 AUGER REAR UPPR END 10GA	1
5	186351-C	LINER, 1220 TUB 10GA	5
6	186352-C	LINER, 1220 TUB REAR END 10GA	1
7	186353-C	LINER, 1220 TUB REAR UPPER END 10GA	1
8	186354-C	LINER, 1220 TUB FRNT END 10GA	1
9	186355-C	LINER, 1220 TUB FRONT UPPER END 10 GA	1
10	186356-C	1220 HALF RIGHT SIDE LINER 10-GA SS	7
11	186357-C	LINER, 1220 AUGER FRNT UPPR END 10GA	1
12	189456	ANGLE END CAP 6 15/16" x 10"	2
13	191058	1220 3/8" TUB BOTTOM	1
14	191059	1220 3/8" AUGER BOTTOM	1
15	191060	1220 AUGER SIDE SHEET	1
16	191061	1220 ROTOR SIDE SHEET	1
17	191062	1220 SIDE TUBE	1
18	191085	AUGER ANGLE - 1220	1
19	192433	1220 ROTOR SIDE SUPPORT TUBE	6
20	873135	620 SLIDE DOOR FRAME (NEW)	1
21	873309	1220 OIL BATH WA	1
22	873310	1220 FRT END SHEET WA	1

**This Page intentionally left blank.**